

# TEAC

## SERVICE MANUAL

---

# CT-M5101 / 5102

51cm CTV

---

## 1. GENERAL INFORMATION

All adjustments are thoroughly done before shipping. Therefore the receiver should operate normally and produce proper colour upon good installation. Insert the power plug into a 165/245 volt 50 Hz AC power outlet. Never connect the DC supply or other power outlet or frequency. Switch on the TV receiver. Adjust the controls for optimum picture. For testing and adjustment the luminance and chrominance controls should be preset at normal positions while the volume control at one third position of maximum output.

## 2. AUTOMATIC DEGAUSSING

An automatic degaussing coil is attached around the picture tube. Degauss the tube properly about one second after the set is switched on. If the receiver is moved or faced in a different direction, the power must be switched off at least 30 minutes in order that the automatic degaussing circuit operates properly. External degaussing is necessary if the automatic degaussing proves ineffective after the set is moved. External degaussing is done by moving a degaussing coil clockwise in front of the face plate and then moving it away step by step until it is about two meters from the screen, when the power is switched off.

## 3. B+ VOLTAGE ADJUSTMENT

**NOTE :TO AVOID X-RAY HAZARDS, B+ VOLTAGE MUST BE SET CORRECTLY AT 125V POSITIONS.**

- a. Switch on the TV receiver, tune in an active channel with contrast and luminance controls at normal positions.
- b. Make sure the AC power supply is 220V +- 5% 50 Hz.
- c. Connect test point (socket C1) on the PCB 60-A0745120-02 with high impedance DC voltmeter.
- d. Adjust VR501 (on the PCB 60-A0745120-02) for B+ 125V voltage reading.

## 4. S1 ALIGNMENT

Apply a DC 12V at the C120 and a sweep PIF signal to the TUNER TP.  
Connect the vertical input of sweep oscilloscope to the TP2, adjust L109 for 40.2 MHz and L110 for 31.9MHz to get the wave form like fig.1

## 5. AFC ALIGNMENT

Change the sweep PIF signal to a CW signal.  
Connect with a high impedance DC voltmeter to the C142 and the GND.  
Adjust L100 to get the reading of 3.5V.  
Increased the frequency then the reading will be decreased. Contrarily, the reading will be increased.

## 6. AGC ALIGNMENT

Apply a 60dbu level with standard colour bar signal to the antenna input.  
Connect the probes of the high impedance DC voltmeter to C153.  
Adjust VR101 to get the reading of 7--7.5V till obtaining a clear picture.

## 7. HORIZONTAL POSITION ADJUSTMENT

Apply a cross hatch signal.  
Adjust VR100 to move the picture at the center.

## 8. VERTICAL ADJUSTMENT

Apply a cross hatch signal.  
Adjust VR301 to obtain rightful high picture.  
Adjust VR300 to obtain a linear picture.  
Adjust VR302 to move the picture at the center.

## 9. PICTURE WIDTH AND PINCUSHION DISTORTION ADJUSTMENT :

- a. Perform this adjustment after B+ volts and Hor. CENTER adjustment are completed.
- b. Receive the Phillips Pattern.
- c. Set the contrast and colour to minimum, and the brightness to maximum.
- d. Adjust H. WIDTH Control (VR1302) for the horizontal width so that the white flags on left and right of the pattern are just hidden.
- e. Adjust DPC Control (VR1301) to correct the vertical line on left and right straight.
- f. Readjust WIDTH Control (VR1302) for the precision.

## 10. FS (Failure Safety) Circuit Check

Turn the power switch on and adjust all controls for normal operation.  
Temporarily connect a 15 Kohm resistor across R391 on the main board. Raster and sound will disappear.  
The receiver must remain in this state even after removing the resistor. This is the evidence that the FS circuit is functioning properly.  
To obtain a picture again, temporarily turn the receiver off and allow the FS circuit more than 30 seconds to reset.  
Then turn the power switch on to product a normal picture.

## 11. SCREEN VOLTAGE ADJUSTMENT

Press the AV button on the hand set unit to obtain a darkest picture.  
Turn the SCREEN VR anticlockwise to get the minimum value. Connect the test probe of the high impedance voltmeter to the SCREEN OF THE CRT.  
Turn the SCREEN VR clockwise slowly to get the reading of 450V.

## 12. WHITE BALANCE ADJUSTMENT

Apply a white balance alignment signal with the white balance checker.  
Adjust brightness and contrast suitable for the adjustment.  
Adjust VR404 / VR405 (BLUE), VR402 / VR403 (GREEN) and VR401 (RED) to obtain a 6500 K or 9300 K colour temperature.

## 13. STEREO AND NICAM SOUND ALIGNMENT (BG-38.9MHz, I-39.5MHz) (On the PCB 60-A0745120-02)

- Apply IF signal (38.9 MHz, 10mV) to pin 2 of B socket.  
Set signal generator to pulse and bar. Set TV generator to dual transmission with internal modulation of 3 KHz on channel 1 and 1 KHz on channel 2.
- Connect oscilloscope to pin 15 of IC601 (TDA3857).  
Align the 38.9MHz (L603) for minimum picture contents.

## 14. DUAL SIF ALIGNMENT (On the PCB 60-A0745120-02)

Set transmitter to BG mono sound mode, connect the dual vertical input of the oscilloscope to R612 (MAIN SOUND) 5.5MHz and R611 (SUB SOUND) 5.74mhz.  
Adjust L602 5.5MHz tank coil to minimum THD.  
Change the sound to D/K system, adjust L604 6.5MHz tank coil to minimum THD.  
Re-align L602 and L604 to minimum THD both.  
Set transmitter to dual sound mode and off the main sound modulation.  
Adjust L601 5.74MHz tank coil to minimum THD.

## 15. Color Purity Adjustment

**NOTE:** Before attempting any convergence adjustments, this receiver should be operated for at least fifteen minutes. Convergence magnet assembly and rubber wedges need mechanical position as shown in Fig. 5.

- a. Demagnetize the picture tube and cabinet using an external degaussing coil.
- b. Turn the CONTRAST and BRIGHTNESS controls to maximum.
- c. Adjust RED and BLUE bias controls (VR401) and (VR405) to provide only a green raster. Advance the green bias control (VR403) is necessary.
- d. Loosen the clamp screw holding the yoke and slide the yoke and slide the yoke backward to provide vertical green belt zone in the picture screen.
- e. Remove the rubber wedges.
- f. Rotate and spread the tabs of the purity magnet (See Fig. 5 around the neck of the picture tube until the green belt is in the center of the screen. At the same time center the raster vertically.
- g. Move the yoke slowly forward or backward until a uniform green screen is obtained. Tighten the clamp screw of the yoke temporarily.
- h. Check the purity of the red and blue rasters by adjusting the bias controls.
- i. Obtain a white raster, referring to "WHITE BALANCE ADJUSTMENT".
- j. Proceed with convergence adjustment.

## 16. Center Convergence Adjustment

- a. Receive crosshatch pattern with a colour bar signal generator.
- b. Adjust the BRIGHTNESS and CONTRAST controls for well defined pattern.
- c. Adjust two tabs of the 4 pole magnets to change the angle between them (see Fig.6) and obtain a blue vertical line in the center area of the picture screen. (see Fig.7).
- d. Turn both tabs at the same time keeping their angles constant to superimpose red and blue horizontal lines at the center of the screen. (see Fig.7).
- e. Adjust two tabs of 6 pole magnets to superimpose red and blue line with green one . Adjusting the angle affects the vertical lines and rotating both magnets affects the horizontal lines.
- f. Repeat adjustments 1,2,3, keeping in mind red, green and blue movements because 4 pole magnets and 6 pole magnets interact and make dot movement complex.

## 17. Circumference Convergence Adjustment

- a. Loosen the clamping screw of deflection yoke to allow the yoke to tilt.
- b. Place a wedge as shown in Fig.5 temporarily. (Do not remove cover paper on adhesive part of the wedge.)
- c. Tilt front of the deflection yoke up or down to obtain better convergence in circumference. (see Fig.7). Push the mounted wedge into the space between picture tube and the yoke to hold the yoke temporarily.
- d. Place other wedge into bottom space and remove the cover paper to stick.
- e. Tilt front of the yoke right or left to obtain better convergence in circumference (see Fig.7).
- f. Hold the yoke position and put another wedge in either upper space. Remove cover paper and stick the wedge on picture tube to hold the yoke.
- g. Detach the temporarily mounted wedge and put it in another upper space, stick it on picture tube to fix the yoke. After placing three wedges, recheck overall convergence.
- h. Tighten the screw firmly to hold the yoke tightly in place. Stick 3 adhesive tapes on wedges as shown in Fig.5.

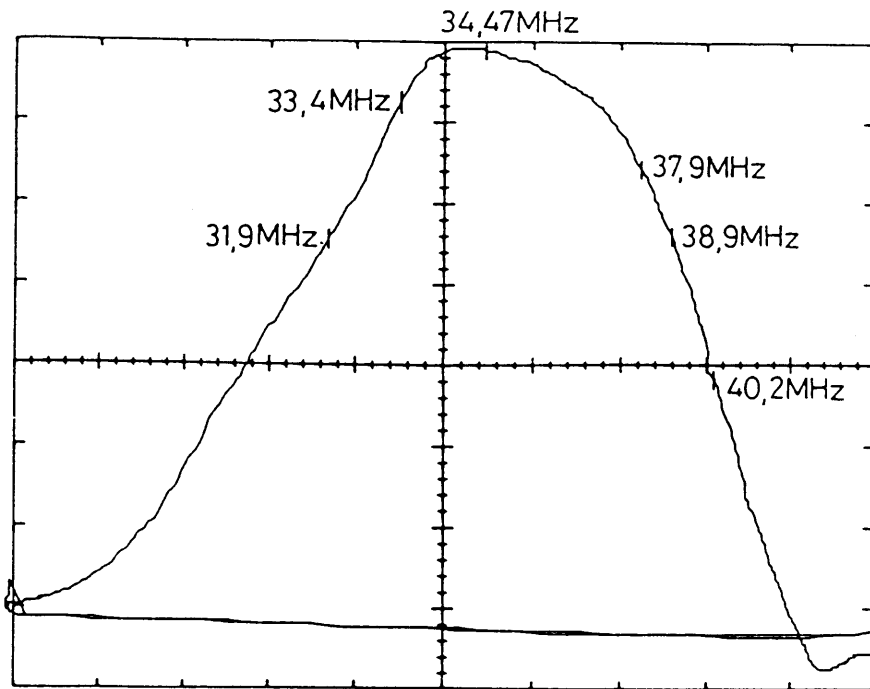


Fig. 1

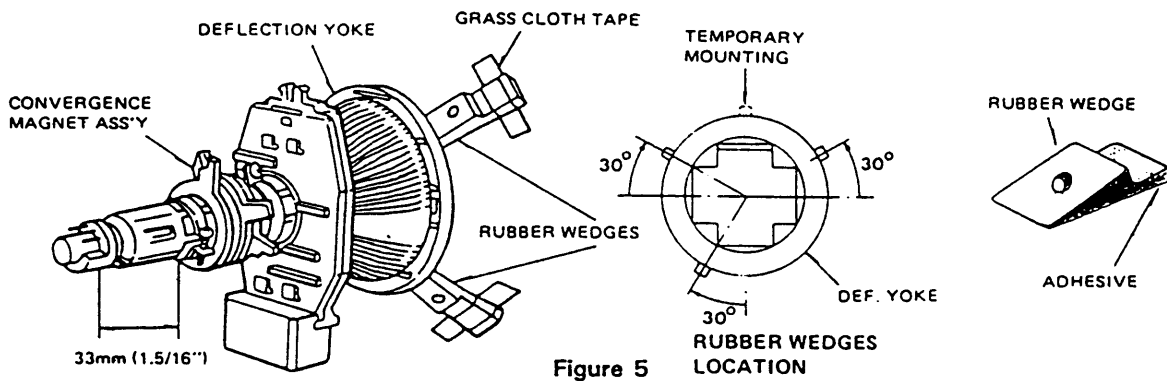


Figure 5

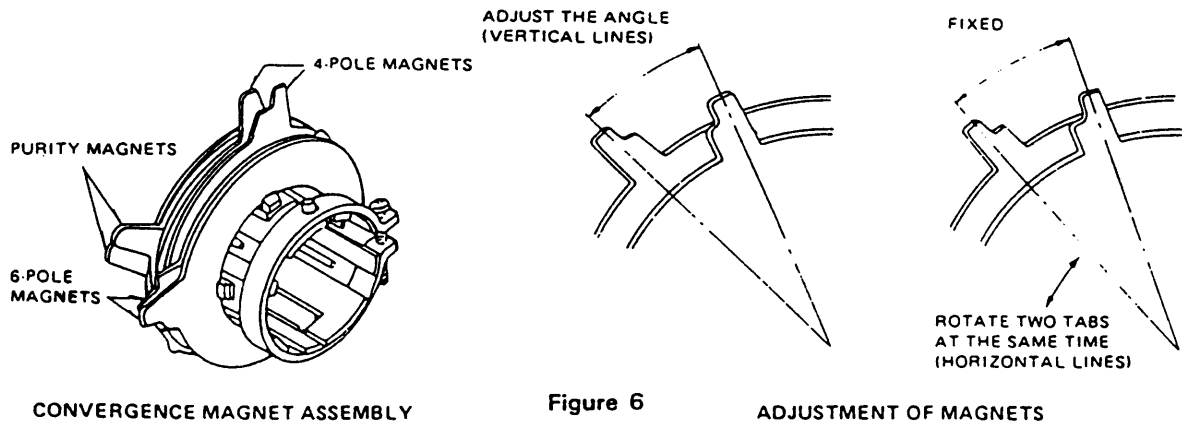


Figure 6

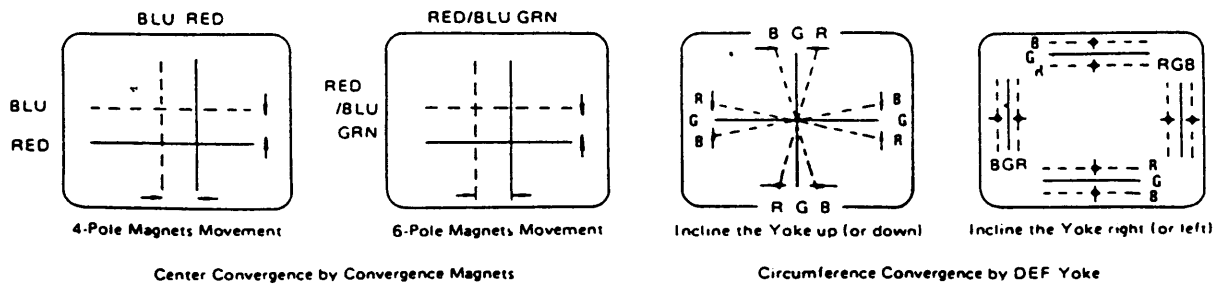
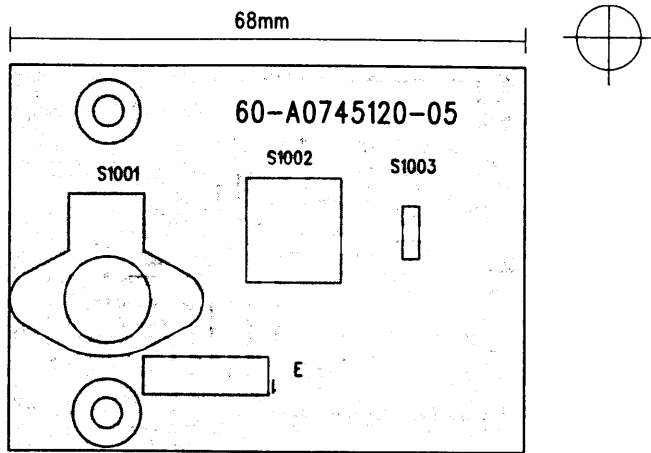
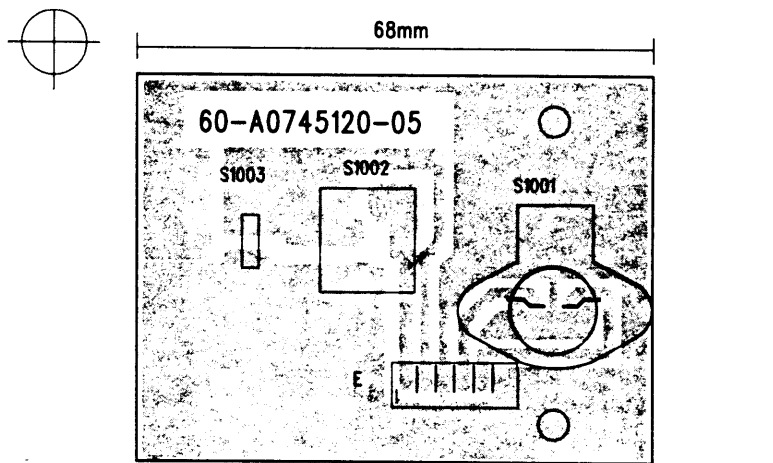


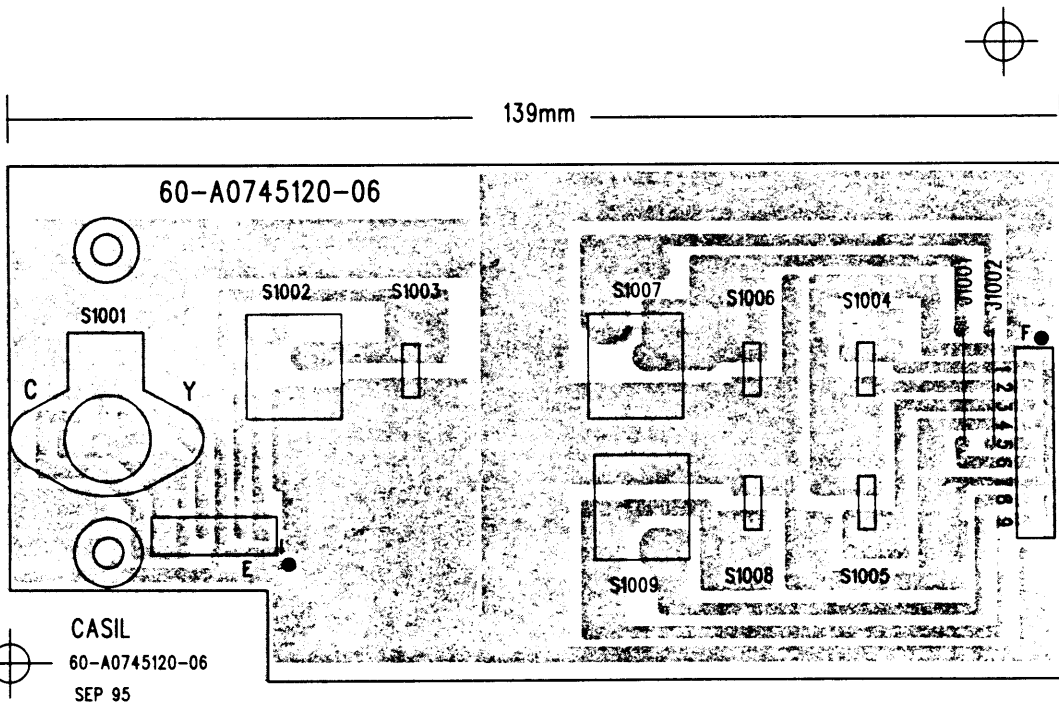
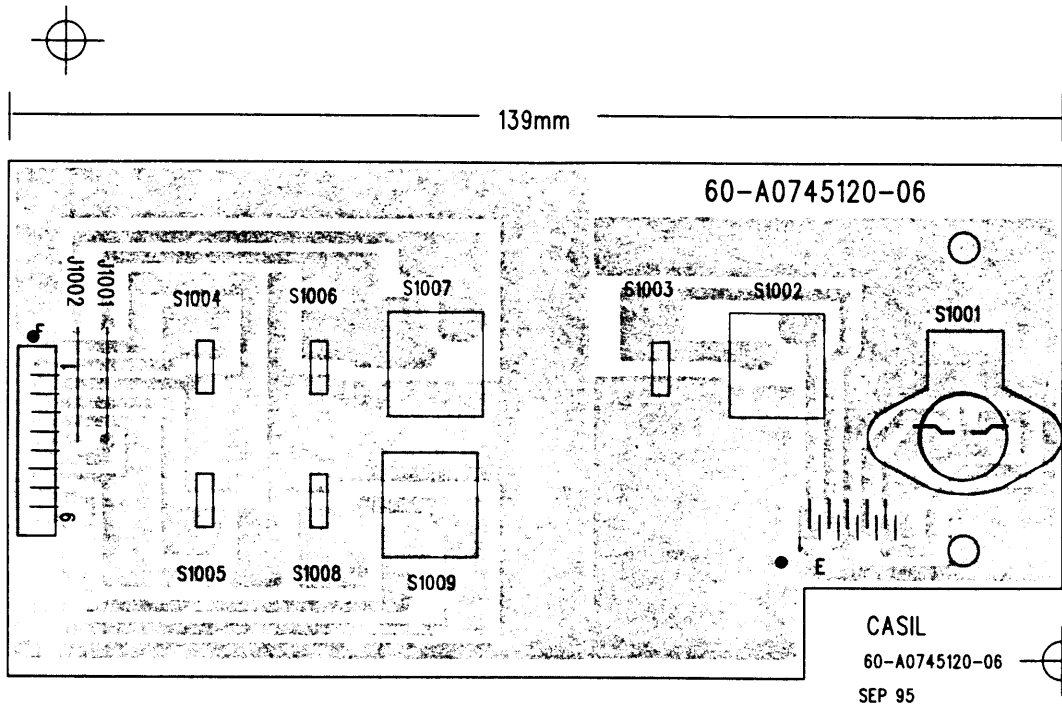
Figure 7 Dot Movement Pattern



CASIL  
60-A0745120-05  
SEP 95

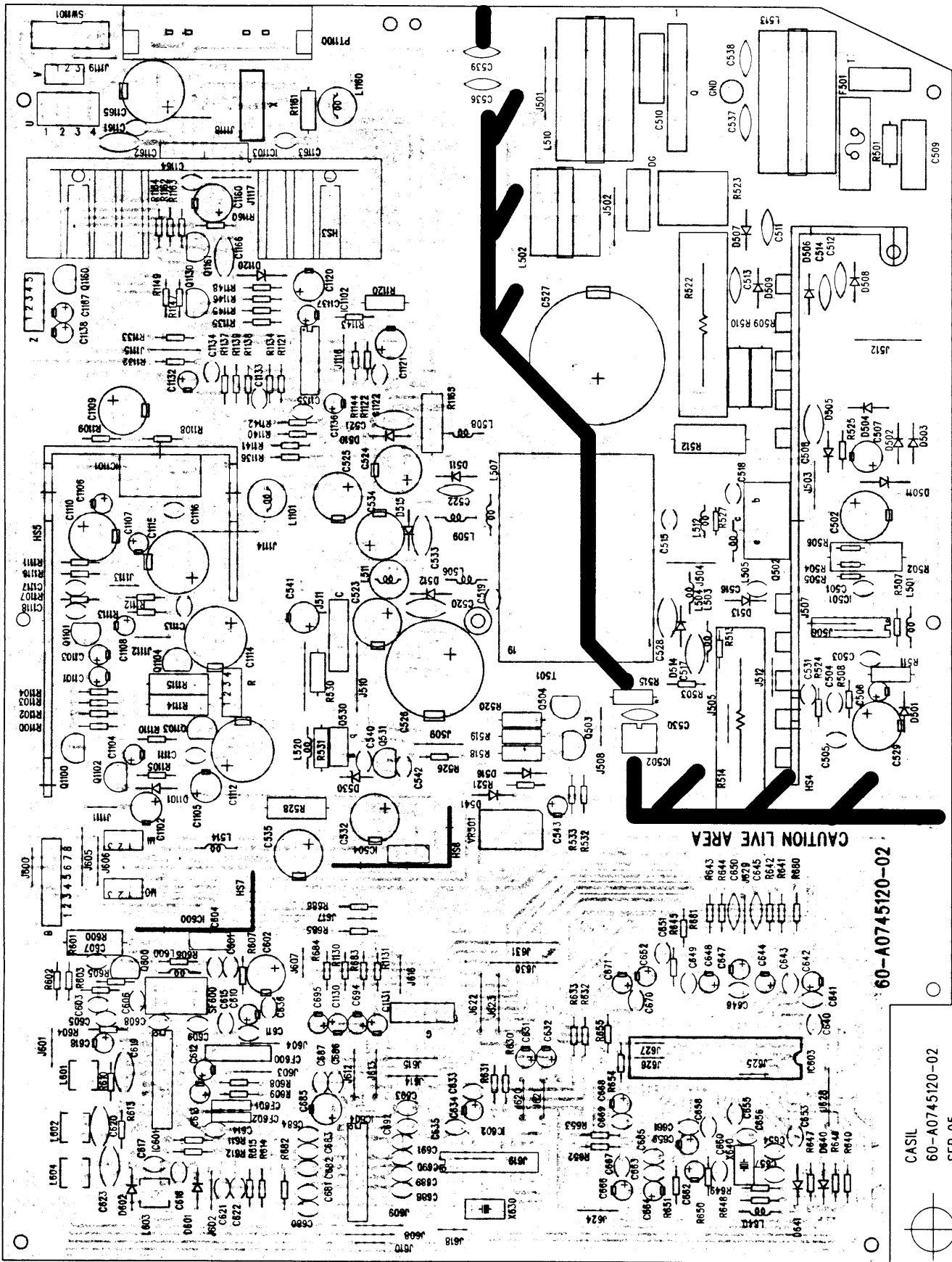


CASIL  
60-A0745120-05  
SEP 95





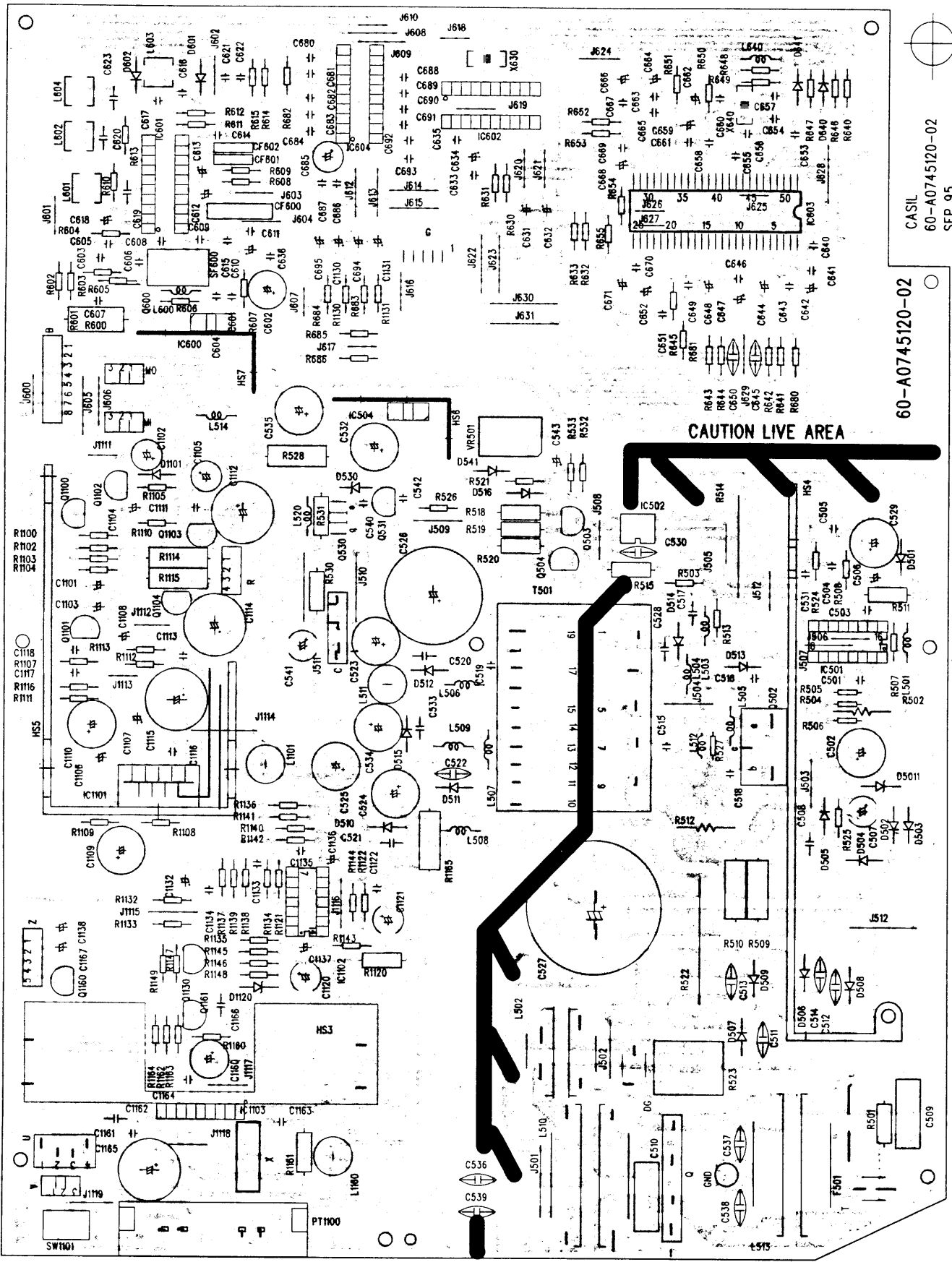
245.6mm



CAUTION LIVE AREA

60-A0745120-02

CASIL 60-A0745120-02 SEP 95

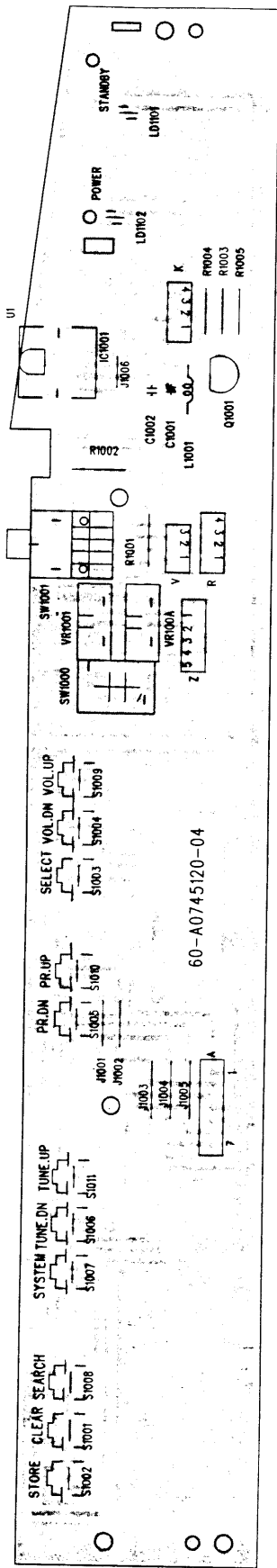


CASIL  
60-A0745120-02  
SEP 95

60-A0745120-02

CAUTION LIVE AREA

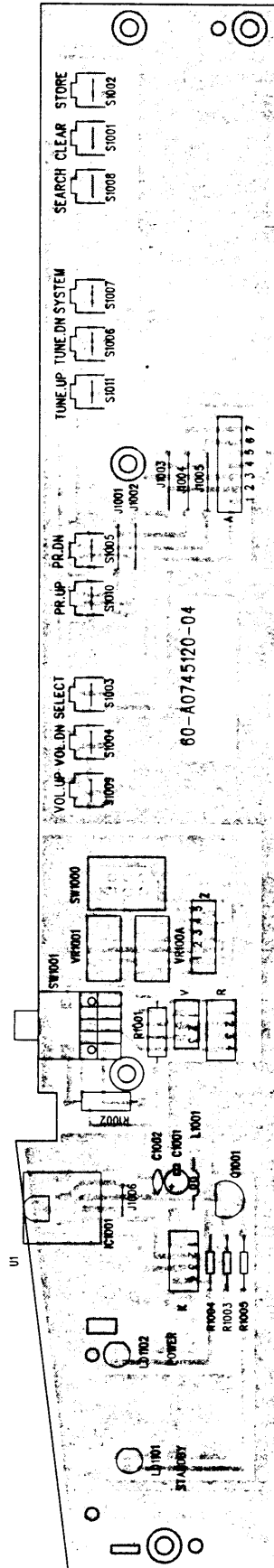
245.6mm



326 mm

CASIL

MODEL NO:CE7451  
60-A0745120-04



326 mm

CASIL

MODEL NO:CE7451  
60-A0745120-04

NOTICE:  
 SINCE THIS IS A BASIC CIRCUIT DIAGRAM THE VALUE OF COMPONENTS ARE SUBJECT TO BE CHANGE FOR IMPROVEMENT

WARNING:  
 BEFORE SERVICING THIS CHASSIS, READ THE X-RAY RADIATION PRECAUTION & PRODUCTS SAFETY NOTICE OF THIS MANUAL

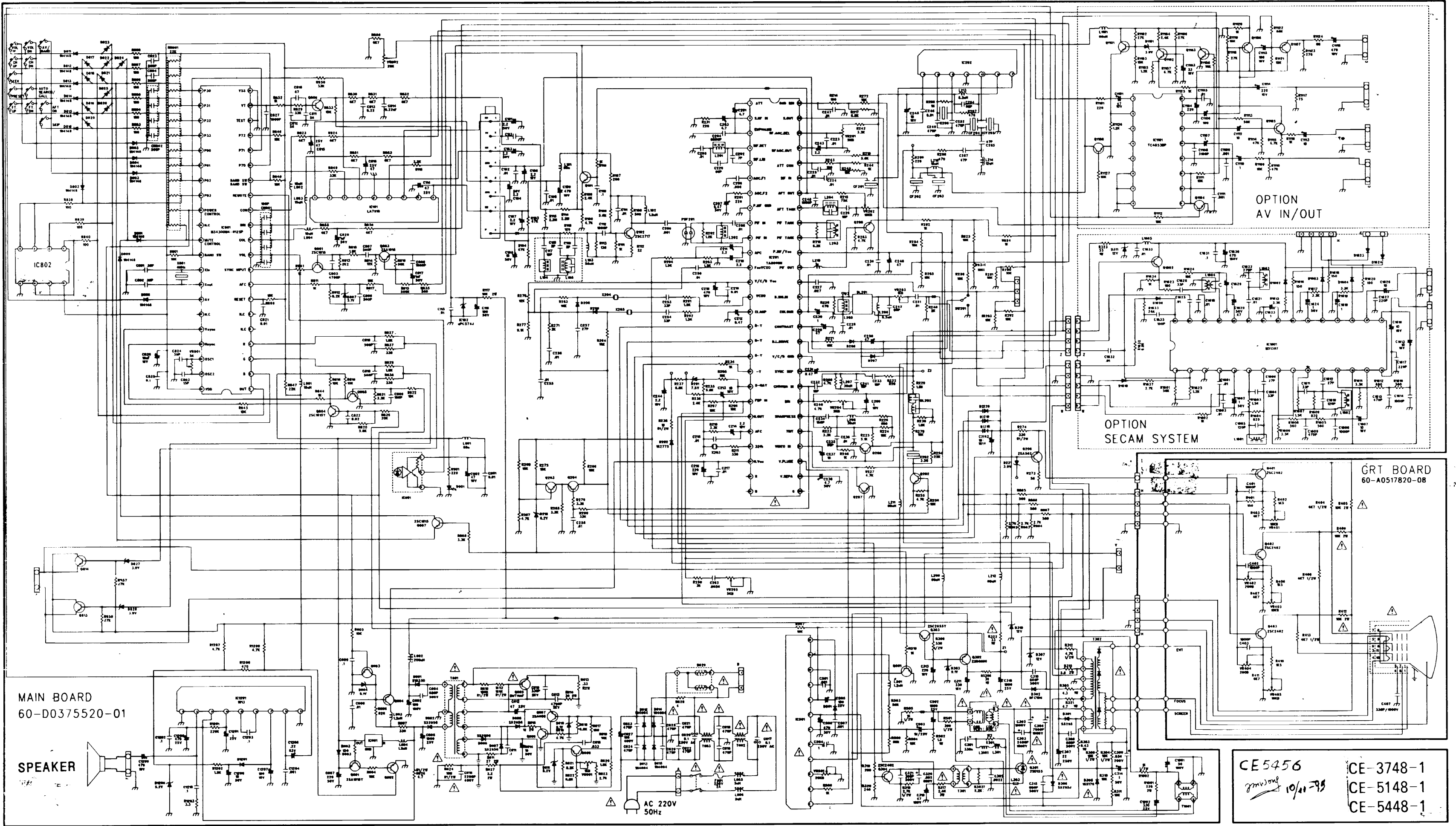
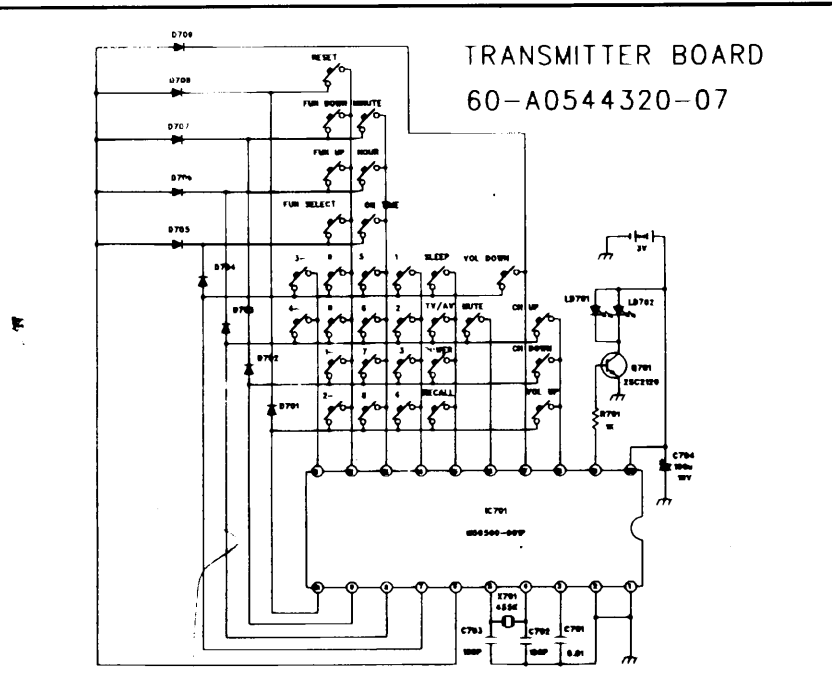
CAUTION:  
 THE WARNING SYMBOLS IN THE SCHEMATIC DIAGRAM AND THE PART LIST DESIGNATE COMPONENTS WHICH HAVE SPECIAL CHARACTERISTICS IMPORTANT FOR SAFETY SHOULD BE REPLACED ONLY WITH TYPES IDENTICAL TO THOSE IN THE ORIGINAL CIRCUIT OR SPECIFIED IN THE PARTS LIST BEFORE REPLACING ANY OF THESE COMPONENTS. READ CAREFULLY THE PRODUCTS SAFETY NOTICE OF THE MANUAL DO NOT DEGRADE THE SAFETY OF THE RECEIVER THROUGH IMPROPER SERVICING

M=1,000,000  
 K=1,000

NOTE:  
 1. VOLTAGES ARE MEASURED WITH DVM FROM POINT INDICATED TO CHASSIS GROUND, USING COLOR BAR SIGNAL WITH ALL CONTROLS AT NORMAL POSITION  
 2. WAVEFORMS ARE MEASURED WITH SYNCHROSCOPE FROM POINT INDICATED TO CHASSIS GROUND, USING COLOR BAR SIGNAL WITH ALL CONTROLS AT NORMAL  
 3. ALL RESISTORS ARE 1/8W +/-5% CARBON FILM RESISTOR UNLESS OTHERWISE LISTED RESISTANCE UNIT IS IN OHM

RESISTOR TYPES	SYMBOL
CARBON FILM	
CARBON COMPOSITION	
METAL OXIDE +/-5%	
METAL OXIDE +/-2%	
FUSIBLE	
NON INFLAMMABLE	
PTC THERMISTOR	
VARIABLE	

CAPACITOR TYPES	SYMBOL
CERAMIC	
TANTALUM	
POLYESTER FILM	
POLYPROPYLENE FILM	
METAL POLYESTER FILM	
POLY POLYESTER FILM	
ELECTROLYTIC	
TRIMMER	

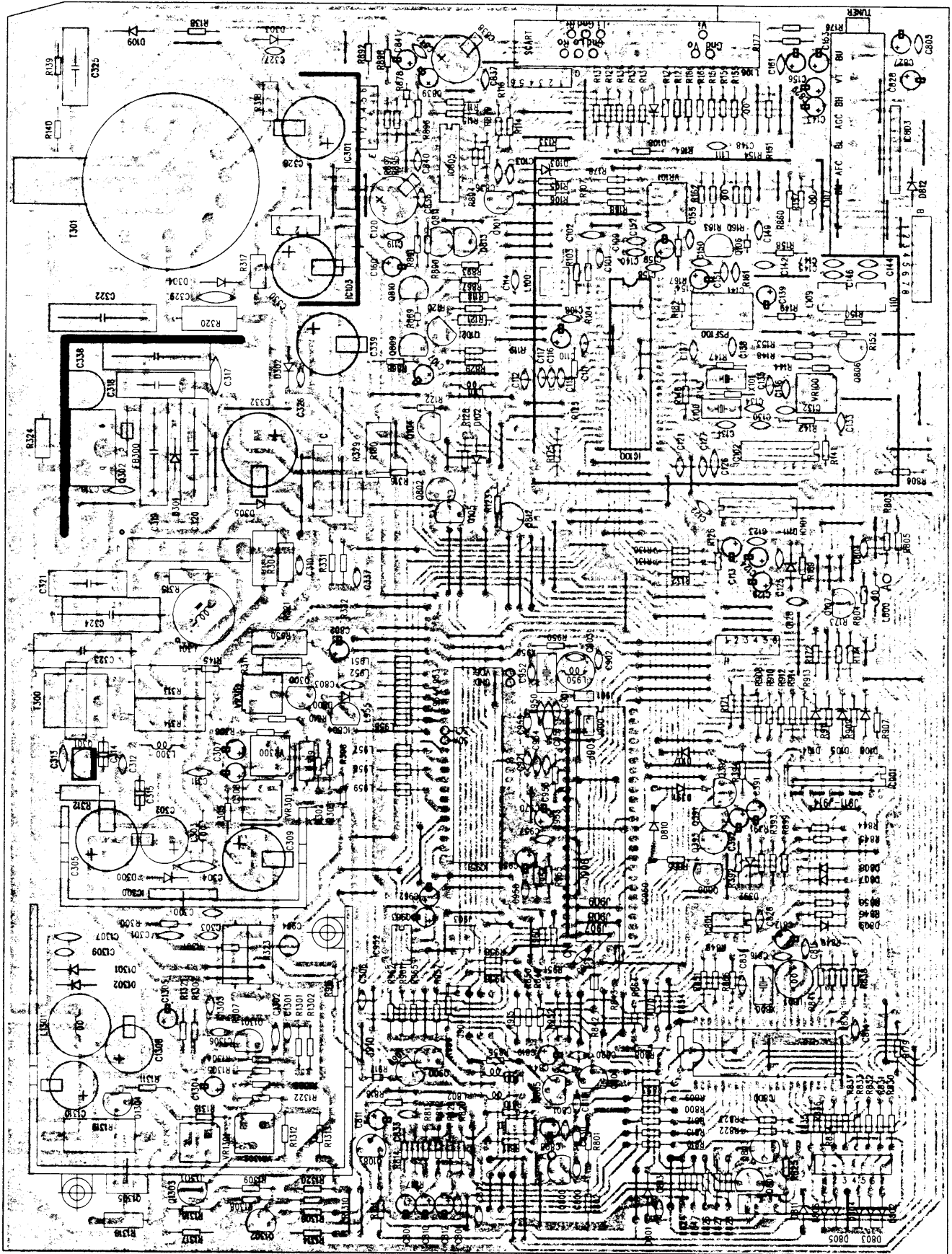


CE 5456  
 10/11/95

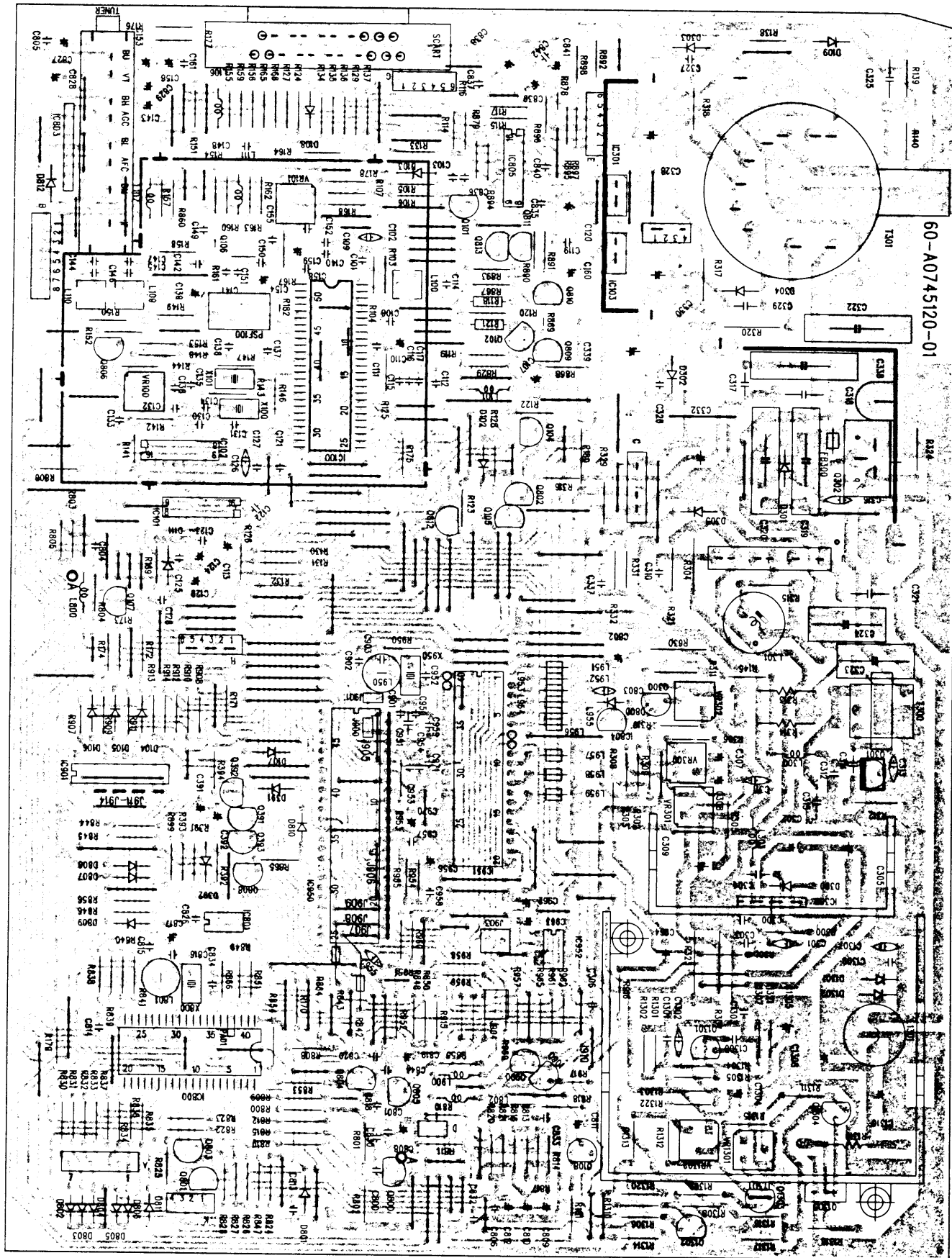
CE-3748-1  
 CE-5148-1  
 CE-5448-1

不受控 - 不會自動更新

王峰 95.10.26.  
 王啟瑞 28/10-95.



60-A0745120-01



ELECTRICAL PART LIST

LOC	CHILD	DESC	LOC	CHILD	DESC
C0101	54-H1200CBF-00	12 PF 50V + 5% CERAMIC CAP (DD104SL120J)	C0155	54-E1004HBF-00	0.1 UF 50V + 80% -20% CERAMIC CAP. (U104Z28Y5VF82J5H)
C0102	54-72203-75	0.022 UF 50V + 80% -20% CERAMIC CAP	C0158	54-A1008EAF-00	10 UF 50V + 20% ELECTROLYTIC CAP
C0103	54-E1004HBF-00	0.1 UF 50V + 80% -20% CERAMIC CAP. (U104Z28Y5VF82J5H)	C0158	54-72203-75	0.022 UF 50V + 80% -20% CERAMIC CAP
C0107	54-A1008EAF-00	10 UF 50V + 20% ELECTROLYTIC CAP	C0159	54-02205EAF-00	2.2 UF 50V + 20% ELECTROLYTIC CAP. (SMR SERIES)
C0108	54-E1004DCF-00	0.1 UF 50V + 10% POLYESTER FILM CAPACITOR	C0180	54-A4708EAD-01	47 UF 25V + 20% ELECTROLYTIC CAPACITOR 105C (UPR1E470MDH)
C0109	54-72203-75	0.022 UF 50V + 80% -20% CERAMIC CAP	C0181	54-E1004DCF-00	0.1 UF 50V + 10% POLYESTER FILM CAPACITOR
C0110	54-A3307EAC-00	330 UF 18V + 20% ELECTROLYTIC CAPACITOR (UVX1C331MPA)	C0300	54-P1004DFV-00	0.1 UF 83V + 10% METALLIZED POLYESTER FILM CAP
C0111	54-E1004DCF-00	0.1 UF 50V + 10% POLYESTER FILM CAPACITOR	C0301	54-E8801DBL-00	880 PF 500V + 10% CERAMIC CAP (D881K25Z5PL52L5H)
C0112	54-E1004DCF-00	0.1 UF 50V + 10% POLYESTER FILM CAPACITOR	C0302	54-A2207EAF-00	220 UF 50V + 20% ELECTROLYTIC CAPACITOR (UVX1H221MPA)
C0113	54-A1008EAF-00	10 UF 50V + 20% ELECTROLYTIC CAP	C0303	54-A5803CCG-00	0.058 UF 100V + 5% POLYESTER FILM CAP. (TDY-2A583J) LONG LEAD TYPE
C0114	54-E1004DCF-00	0.1 UF 50V + 10% POLYESTER FILM CAPACITOR	C0304	54-H1002DBL-00	1000 PF 500V + 10% CERAMIC CAP. (DD07B102K500V) OR (DD07-63B102K500)
C0115	54-E1004HBF-00	0.1 UF 50V + 80% -20% CERAMIC CAP. (U104Z28Y5VF82J5H)	C0305	54-04707EAE-00	470 UF 35V + 20% ELECTROLYTIC CAPACITOR (WG TYPE,DF I < 0.09)
C0118	54-E1004HBF-00	0.1 UF 50V + 80% -20% CERAMIC CAP. (U104Z28Y5VF82J5H)	C0308	54-E1004DCF-00	0.1 UF 50V + 10% POLYESTER FILM CAPACITOR
C0117	54-E1004HBF-00	0.1 UF 50V + 80% -20% CERAMIC CAP. (U104Z28Y5VF82J5H)	C0307	54-A1008EAF-00	10 UF 50V + 20% ELECTROLYTIC CAP
C0119	54-E1004HBF-00	0.1 UF 50V + 80% -20% CERAMIC CAP. (U104Z28Y5VF82J5H)	C0308	54-04705EAD-00	4.7 UF 25V + 20% ELECTROLYTIC CAPACITOR (SMR TYPE)
C0120	54-A2207EAC-00	220 UF 18V + 20% ELECTROLYTIC CAPACITOR (UVX1C221MPA)	C0309	54-A3308EAD-00	3300 UF + 20% 25V ELECTROLYTIC CAPACITOR (UVX1E332MHA)
C0121	54-E1004DCF-00	0.1 UF 50V + 10% POLYESTER FILM CAPACITOR	C0310	54-A5803CCG-00	0.058 UF 100V + 5% POLYESTER FILM CAP. (TDY-2A583J) LONG LEAD TYPE
C0122	54-E1004DCF-00	0.1 UF 50V + 10% POLYESTER FILM CAPACITOR	C0311	54-AZ2203CEG-00	0.022 UF 100V + 5% POLYPROPYLENE FILM CAPACITOR SB - 5MM (PLU203J100V)
C0123	54-72203-75	0.022 UF 50V + 80% -20% CERAMIC CAP	C0313	54-E8801DBL-00	880 PF 500V + 10% CERAMIC CAP (D881K25Z5PL52L5H)
C0124	54-04708EAB-00	47 UF 10V + 20% ELECTROLYTIC CAPACITOR (SMR TYPE)	C0314	54-E2202EBL-00	0.0022 UF 500V + 20% CERAMIC CAP (D222M25Z5UL82L5T)
C0125	54-72203-75	0.022 UF 50V + 80% -20% CERAMIC CAP	C0315	54-AZ4703DEI-00	0.047 UF 200V + 10% POLYPROPYLENE FILM CAPACITOR (PLU473K200V) L.S. - 10MM
C0128	54-S1002-75	0.001 UF 50V + 10% CERAMIC CAP	C0318	54-I1502CLF-00	0.0015 UF 50V + 5% POLYESTER FILM CAP (DER TYPE)
C0127	54-S1002-75	0.001 UF 50V + 10% CERAMIC CAP	C0317	54-E1502DBP-00	1500 PF 2KV + 10% CERAMIC CAP (D152K48Y5PP82L9A)
C0132	54-E4702EBL-00	0.0047 UF 500V + 20% CERAMIC CAP (D472M31Z5UL82L5A)	C0318	54-AZ2003CEI-00	0.02 UF 200V + 5% POLYPROPYLENE FILM CAPACITOR SB - 10MM (PLU203J200V)
C0133	54-E1004DCF-00	0.1 UF 50V + 10% POLYESTER FILM CAPACITOR	C0319	54-I8202CM0-00	0.0082 UF 1800V + 5% POLYPROPYLENE FILM CAP
C0134	54-A1800-75	18 PF 50V + 5% CERAMIC CAP	C0320	54-43302-18	0.0033 UF 1800V + 5% POLYPROPYLENE FILM CAP (DKR TYPE)
C0135	54-E1500CBF-00	15 PF 50V + 5% CERAMIC CAP. (D150J20C06F52L2H)	C0321	54-AZ2402CE0-00	0.0024 UF 1800V + 5% POLYPROPYLENE FILM CAPACITOR (BUH242J1800V) L.S. - 15MM
C0138	54-72203-75	0.022 UF 50V + 80% -20% CERAMIC CAP	C0324	54-AZ5204CEI-00	0.52 UF 200V + 5% POLYPROPYLENE FILM CAPACITOR (PLU524J200V) (L.S. - 25MM)
C0137	54-E2202DCF-00	0.0022 UF 50V + 10% POLYESTER FILM CAPACITOR	C0325	54-AZ5803DEI-00	0.058 UF 200V + 10% POLYPROPYLENE FILM CAPACITOR (PLU583K200V) L.S. - 15MM
C0138	54-E4702EBL-00	0.0047 UF 500V + 20% CERAMIC CAP (D472M31Z5UL82L5A)	C0326	54-E1502EBL-00	1500 PF 500V + 20% CERAMIC CAP (D152M22Z5UL82L3H)
C0139	54-01005EAF-00	1 UF 50V + 20% ELECTROLYTIC CAP. (SMR SERIES)	C0327	54-H1002DBL-00	1000 PF 500V + 10% CERAMIC CAP. (DD07B102K500V) OR (DD07-63B102K500)
C0140	54-S1802-78	0.0018 UF 50V + 10% MYLAR CAP	C0328	54-A3307EAD-01	330 UF 25V + 20% ELECTROLYTIC CAP. (UVX1E331MPA)
C0141	54-E1004DCF-00	0.1 UF 50V + 10% POLYESTER FILM CAPACITOR	C0328	54-E2201DBL-00	220 PF 500V + 10% CERAMIC CAP (D221K25Z5PL52L5H)
C0142	54-E4702EBL-00	0.0047 UF 500V + 20% CERAMIC CAP (D472M31Z5UL82L5A)	C0330	54-A1008EAF-00	10 UF 50V + 20% ELECTROLYTIC CAP. (UVX2E100MPA)
C0143	54-04704EAF-00	0.47 UF 50V + 20% ELECTROLYTIC CAP. (SMR SERIES)	C0332	54-A4708EAF-00	47 UF 180V + 20% ELECTROLYTIC CAP (UVX2C470MHA)
C0147	54-S1002-75	0.001 UF 50V + 10% CERAMIC CAP	C0337	54-S1002-75	0.001 UF 50V + 10% CERAMIC CAP
C0148	54-E1004HBF-00	0.1 UF 50V + 80% -20% CERAMIC CAP. (U104Z28Y5VF82J5H)	C0338	54-AZ2402CE0-00	0.0024 UF 1800V + 5% POLYPROPYLENE FILM CAPACITOR (BUH242J1800V) L.S. - 15MM
C0149	54-71003-75	0.01 UF 50V + 80% -20% CERAMIC CAP	C0339	54-A2208EAF-01	2200 UF 35V + 20% ELECTROLYTIC CAP. (UVS1V222MRA)
C0150	54-71003-75	0.01 UF 50V + 80% -20% CERAMIC CAP	C0391	54-A1008EAF-00	10 UF 50V + 20% ELECTROLYTIC CAP
C0151	54-S1002-75	0.001 UF 50V + 10% CERAMIC CAP	C0392	54-02205EAF-00	2.2 UF 50V + 20% ELECTROLYTIC CAP. (SMR SERIES)
C0152	54-72203-75	0.022 UF 50V + 80% -20% CERAMIC CAP	C0401	54-AC3901CBF-00	390 PF 50V + 5% CERAMIC CAPACITOR (CC10UJ50V391J1B)
C0153	54-A1008EAF-00	10 UF 50V + 20% ELECTROLYTIC CAP	C0402	54-AC3901CBF-00	390 PF 50V + 5% CERAMIC CAPACITOR (CC10UJ50V391J1B)
C0154	54-02205EAF-00	2.2 UF 50V + 20% ELECTROLYTIC CAP. (SMR SERIES)	C0403	54-AC3901CBF-00	390 PF 50V + 5% CERAMIC CAPACITOR (CC10UJ50V391J1B)

## ELECTRICAL PART LIST

19

LOC	CHILD	DESC	LOC	CHILD	DESC
C0404	54-E1002DBP-00	1000 PF 2KV +-10% CERAMIC CAP (D102K39Y5P62L6A)	C0803	54-51002-75	0.001 UF 50V +-10% CERAMIC CAP
C0500	54-Q1004EFJ-01	0.1 UF 275V +-20% METALLIZED POLYESTER FILM CAP. (XG-VS)	C0804	54-E1004HBF-00	0.1 UF 50V +80% -20% CERAMIC CAP. (U104Z28Y5VF62J5H)
C0501	54-E1004HBF-00	0.1 UF 50V +80% -20% CERAMIC CAP. (U104Z28Y5VF62J5H)	C0805	54-51002-75	0.001 UF 50V +-10% CERAMIC CAP
C0502	54-A3307EAD-01	330 UF 25V +-20% ELECTROLYTIC CAP. (UVX1E331MPA)	C0808	54-51002-75	0.001 UF 50V +-10% CERAMIC CAP
C0503	54-50700-75	7 PF 50V +-0.5PF CERAMIC CAP	C0807	54-E1004HBF-00	0.1 UF 50V +80% -20% CERAMIC CAP. (U104Z28Y5VF62J5H)
C0504	54-Q1802CEX-00	1800 PF 630V +-5% POLYPROPYLENE FILM CAPACITOR	C0808	54-71003-75	0.01 UF 50V +80% -20% CERAMIC CAP
C0505	54-E1004DCF-00	0.1 UF 50V +-10% POLYESTER FILM CAPACITOR	C0809	54-71003-75	0.01 UF 50V +80% -20% CERAMIC CAP
C0506	54-04705EAD-00	4.7 UF 25V +-20% ELECTROLYTIC CAPACITOR (SMR TYPE)	C0810	54-02208EAC-00	22 UF 18V +-20% ELECTROLYTIC CAP. (SMR SERIES)
C0507	54-02208EAF-00	22 UF 50V +-20% ELECTROLYTIC CAPACITOR (SMR TYPE)	C0811	54-71003-75	0.01 UF 50V +80% -20% CERAMIC CAP
C0508	54-E2202EBL-00	0.0022 UF 500V +-20% CERAMIC CAP (D222M25Z5UL62L5T)	C0812	54-02205EAF-00	2.2 UF 50V +-20% ELECTROLYTIC CAP. (SMR SERIES)
C0509	54-Q1004EFJ-01	0.1 UF 275V +-20% METALLIZED POLYESTER FILM CAP. (XG-VS)	C0813	54-02205EAF-00	2.2 UF 50V +-20% ELECTROLYTIC CAP. (SMR SERIES)
C0511	54-E4702EBN-00	0.0047 UF 1KV +-20% CERAMIC CAP (D472M39Z5UN62L6A)	C0814	54-E1004HBF-00	0.1 UF 50V +80% -20% CERAMIC CAP. (U104Z28Y5VF62J5H)
C0512	54-E4702EBN-00	0.0047 UF 1KV +-20% CERAMIC CAP (D472M39Z5UN62L6A)	C0815	54-E1004HBF-00	0.1 UF 50V +80% -20% CERAMIC CAP. (U104Z28Y5VF62J5H)
C0513	54-E4702EBN-00	0.0047 UF 1KV +-20% CERAMIC CAP (D472M39Z5UN62L6A)	C0816	54-E2700CKF-00	27 PF 50V +-5% CERAMIC CAP. (TEMPERATURE COMPENSATING) (D27J020C0GF52L5A)
C0514	54-E4702EBN-00	0.0047 UF 1KV +-20% CERAMIC CAP (D472M39Z5UN62L6A)	C0817	54-E8800CKF-00	88 PF 50V +-5% TEMPERATURE COMPENSATING CERAMIC CAP (N150)
C0515	54-E3901DKL-00	390 PF 500V +-10% CERAMIC CAP (D391K22Z5FL82L3H)	C0818	54-04705EAD-00	4.7 UF 25V +-20% ELECTROLYTIC CAPACITOR (SMR TYPE)
C0516	54-E3901DKL-00	390 PF 500V +-10% CERAMIC CAP (D391K22Z5FL82L3H)	C0819	54-08201CEG-00	820 PF 100V +-5% POLYPROPYLENE FILM CAPACITOR (PL CON TYPE)
C0517	54-85801-25	580 PF 2KV +-20% CERAMIC CAP	C0820	54-U6801CDX-00	680 PF 630V +-5% POLYSTYRENE FILM CAPACITOR (2222 431)
C0518	54-H3301CBP-00	330 PF 2000V +-5% CERAMIC CAP	C0821	54-51002-75	0.001 UF 50V +-10% CERAMIC CAP
C0519	54-E1801DBP-00	180 PF 2 KV +-10% CERAMIC CAP (D181K31Z5P62L6)	C0822	54-51002-75	0.001 UF 50V +-10% CERAMIC CAP
C0520	54-E3901DKL-00	390 PF 500V +-10% CERAMIC CAP (D391K22Z5FL82L3H)	C0831	54-02205EAF-00	2.2 UF 50V +-20% ELECTROLYTIC CAP. (SMR SERIES)
C0521	54-E3901DKL-00	390 PF 500V +-10% CERAMIC CAP (D391K22Z5FL82L3H)	C0832	54-02205EAF-00	2.2 UF 50V +-20% ELECTROLYTIC CAP. (SMR SERIES)
C0523	54-A4708EAH-00	47 UF 180V +-20% ELECTROLYTIC CAP (UVX2C470MHA)	C0833	54-02204CFV-01	0.22 UF 63V +-5% METALLIZED POLYESTER CAPACITOR (MS CON TYPE, 6X1J224J-B0)
C0525	54-04707EAD-00	470 UF 25V +-20% ELECTROLYTIC CAP. (SMR SERIES)	C0834	54-04708EAD-00	47 UF 25V +-20% ELECTROLYTIC CAP. (SMR SERIES)
C0526	54-A3307EAI-00	330 UF 200V +-20% ELECTROLYTIC CAP. (LLK2D331MHA)	C0835	54-02204CFV-01	0.22 UF 63V +-5% METALLIZED POLYESTER CAPACITOR (MS-CON TYPE, 6X1J224J-B0)
C0527	54-A5807EAK-00	580 UF 400V +-20% ELECTROLYTIC CAP. (LLK2G581MHSC)	C0843	54-U2204DFV-00	0.22 UF 63V +-10% METALLIZED FILM CAP. (2222 370 15224)
C0528	54-A22402CE0-00	0.0024 UF 1600V +-5% POLYPROPYLENE FILM CAPACITOR (BUH242J1600V) L.S. -15MM	C0844	54-04708EAD-00	47 UF 25V +-20% ELECTROLYTIC CAP. (SMR SERIES)
C0529	54-A1008EAD-01	1000UF 25V +-20% ELECTROLYTIC CAPACITOR (UVX1E102MHA)	C0845	54-48800-75	68 PF 50V +-5% CERAMIC CAP
C0530	54-K1002EGK-00	1000PF 400VAC +-20% CERAMIC CAPACITOR-TEMPERATURE COMPENSATING(ECKDNS102MBX)	C0848	54-04708EAD-00	47 UF 25V +-20% ELECTROLYTIC CAP. (SMR SERIES)
C0531	54-P1004DFV-00	0.1 UF 63V +-10% METALLIZED POLYESTER FILM CAP	C0849	54-U2204DFV-00	0.22 UF 63V +-10% METALLIZED FILM CAP. (2222 370 15224)
C0532	54-04707EAD-00	470 UF 25V +-20% ELECTROLYTIC CAP. (SMR SERIES)	C0850	54-48800-75	68 PF 50V +-5% CERAMIC CAP
C0533	54-E3901DKL-00	390 PF 500V +-10% CERAMIC CAP (D391K22Z5FL82L3H)	C0880	54-U5802DFJ-00	5800 PF 250V +-10% METALLIZED POLYESTER FILM CAPACITOR (2222370 41562)
C0534	54-04707EAD-00	470 UF 25V +-20% ELECTROLYTIC CAP. (SMR SERIES)	C0881	54-U3303DFG-00	33000 PF 100V +-10% METALLIZED POLYESTER FILM CAPACITOR (2222370 21333)
C0535	54-A3307EAC-00	330 UF 18V +-20% ELECTROLYTIC CAPACITOR (UVX1C331MPA)	C0882	54-E1004HBF-00	0.1 UF 50V +80% -20% CERAMIC CAP. (U104Z28Y5VF62J5H)
C0536	54-H4701DGK-00	470 PF 400 VAC +-10% CERAMIC CAP (DE1010B471KACT4K-KD)	C0883	54-U4704DFV-00	0.47 UF 63V +-10% METALLIZED FILM CAPACITOR (2222 370 15474)
C0539	54-H4701DGK-00	470 PF 400 VAC +-10% CERAMIC CAP (DE1010B471KACT4K-KD)	C0884	54-58801-75	880 PF 50V +-10% CERAMIC CAP
C0540	54-Q1004EFJ-01	0.1 UF 275V +-20% METALLIZED POLYESTER FILM CAP. (XG-VS)	C0885	54-01007EAD-00	100 UF 25V +-20% ELECTROLYTIC CAP. (SMR SERIES)
C0541	54-A2207EAC-00	220-UF 18V +-20% ELECTROLYTIC CAPACITOR (UVX1C221MPA)	C0886	54-U4704DFV-00	0.47 UF 63V +-10% METALLIZED FILM CAPACITOR (2222 370 15474)
C0542	54-E1004HBF-00	0.1 UF 50V +80% -20% CERAMIC CAP. (U104Z28Y5VF62J5H)	C0887	54-58801-75	880 PF 50V +-10% CERAMIC CAP
C0543	54-01008EAC-00	10 UF 18V +-20% ELECTROLYTIC CAP. (SMR SERIES)	C0888	54-U5802DFJ-00	5800 PF 250V +-10% METALLIZED POLYESTER FILM CAPACITOR (2222370 41562)
C0548	54-E1004HBF-00	0.1 UF 50V +80% -20% CERAMIC CAP. (U104Z28Y5VF62J5H)	C0889	54-U3303DFG-00	33000 PF 100V +-10% METALLIZED POLYESTER FILM CAPACITOR (2222370 21333)
C0801	54-E1004HBF-00	0.1 UF 50V +80% -20% CERAMIC CAP. (U104Z28Y5VF62J5H)	C0890	54-E1503DCF-00	0.015 UF 50V +-10% POLYESTER FILM CAP.
C0802	54-01007EAD-00	100 UF 25V +-20% ELECTROLYTIC CAP. (SMR SERIES)	C0891	54-E1503DCF-00	0.015 UF 50V +-10% POLYESTER FILM CAP.



ELECTRICAL PART LIST

LOC	CHILD	DESC	LOC	CHILD	DESC
C0892	54-U4704DFV-00	0.47 UF 63V +10% METALLIZED FILM CAPACITOR (2222 370 15474)	C1101	54-04705EAD-00	4.7 UF 25V +20% ELECTROLYTIC CAPACITOR (SMR TYPE)
C0893	54-U4704DFV-00	0.47 UF 63V +10% METALLIZED FILM CAPACITOR (2222 370 15474)	C1102	54-01007EAC-00	100 UF 16V +20% ELECTROLYTIC CAP. (SMR SERIES)
C0894	54-02205EAF-00	2.2 UF 50V +20% ELECTROLYTIC CAP. (SMR SERIES)	C1103	54-04705EAD-00	4.7 UF 25V +20% ELECTROLYTIC CAPACITOR (SMR TYPE)
C0895	54-02205EAF-00	2.2 UF 50V +20% ELECTROLYTIC CAP. (SMR SERIES)	C1104	54-04708EAD-00	47 UF 25V +20% ELECTROLYTIC CAP. (SMR SERIES)
C0704	54-04708EAB-00	47 UF 10V +20% ELECTROLYTIC CAPACITOR (SMR TYPE)	C1105	54-01007EAD-00	100 UF 25V +20% ELECTROLYTIC CAP. (SMR SERIES)
C0800	54-41001-75	100 PF 50V +5% CERAMIC CAP	C1108	54-02205EAF-00	2.2 UF 50V +20% ELECTROLYTIC CAP. (SMR SERIES)
C0801	54-41001-75	100 PF 50V +5% CERAMIC CAP	C1107	54-02205EAF-00	2.2 UF 50V +20% ELECTROLYTIC CAP. (SMR SERIES)
C0802	54-A1008EAF-00	10 UF 50V +20% ELECTROLYTIC CAP	C1108	54-02208EAC-00	22 UF 16V +20% ELECTROLYTIC CAP. (SMR SERIES)
C0803	54-02204CFV-00	0.22 UF 63V +5% METALLIZED POLYESTER CAPACITOR (MS-CON TYPE)	C1109	54-A2207EAF-00	220 UF 50V +20% ELECTROLYTIC CAPACITOR (UVX1H221MPA)
C0804	54-04704CFV-00	0.47 UF 63V +5% METALLIZED POLYESTER CAPACITOR (MS-CON TYPE)	C1110	54-A2207EAF-00	220 UF 50V +20% ELECTROLYTIC CAPACITOR (UVX1H221MPA)
C0805	54-04704CFV-00	0.47 UF 63V +5% METALLIZED POLYESTER CAPACITOR (MS-CON TYPE)	C1111	54-P1004DFV-00	0.1 UF 63V +10% METALLIZED POLYESTER FILM CAP
C0806	54-41001-75	100 PF 50V +5% CERAMIC CAP	C1112	54-A2208EAC-00	2200 UF 16V +20% ELECTROLYTIC CAPACITOR (UVX1C222MHA)
C0808	54-A1008EAF-00	10 UF 50V +20% ELECTROLYTIC CAP	C1113	54-P1004DFV-00	0.1 UF 63V +10% METALLIZED POLYESTER FILM CAP
C0809	54-A1008EAF-00	10 UF 50V +20% ELECTROLYTIC CAP	C1114	54-A2208EAC-00	2200 UF 16V +20% ELECTROLYTIC CAPACITOR (UVX1C222MHA)
C0810	54-04705EAD-00	4.7 UF 25V +20% ELECTROLYTIC CAPACITOR (SMR TYPE)	C1115	54-A2208EAD-00	2200 UF 25V +20% ELECTROLYTIC CAPACITOR (UVX1E222MHA)
C0811	54-02208EAF-00	22 UF 50V +20% ELECTROLYTIC CAPACITOR (SMR TYPE)	C1116	54-P1004DFV-00	0.1 UF 63V +10% METALLIZED POLYESTER FILM CAP
C0812	54-A1008EAF-00	10 UF 50V +20% ELECTROLYTIC CAP	C1117	54-E1003DCF-00	0.01 UF 50V +10% POLYESTER FILM CAPACITOR
C0813	54-52202-75	0.0022 UF 50V +10% CERAMIC CAP	C1118	54-E1003DCF-00	0.01 UF 50V +10% POLYESTER FILM CAPACITOR
C0814	54-51002-75	0.001 UF 50V +10% CERAMIC CAP	C1301	54-E1003DCF-00	0.01 UF 50V +10% POLYESTER FILM CAPACITOR
C0815	54-42000-75	20 PF 50V +5% CERAMIC CAP	C1302	54-51504-76	0.15 UF 50V +10% NYLAR CAP
C0816	54-42000-75	20 PF 50V +5% CERAMIC CAP	C1303	54-AH1203DCG-00	0.012 UF 100V +10% POLYESTER FILM CAPACITOR
C0817	54-A1008EAF-00	10 UF 50V +20% ELECTROLYTIC CAP	C1304	54-A4708EAF-00	47 UF 50V +20% ELECTROLYTIC CAP
C0818	54-E1004HBF-00	0.1 UF 50V +80% -20% CERAMIC CAP. (U104229Y5VF62J5H)	C1305	54-04708EAB-00	47 UF 10V +20% ELECTROLYTIC CAPACITOR (SMR TYPE)
C0819	54-A1007EAB-00	100 UF 10V +20% ELECTROLYTIC CAP	C1306	54-A8803CCG-00	0.088 UF 100V +5% POLYESTER FILM CAP. (TDY-2A683J) LONG LEAD TYPE
C0820	54-E1004HBF-00	0.1 UF 50V +80% -20% CERAMIC CAP. (U104229Y5VF62J5H)	C1307	54-Q2203DMK-00	0.022 UF 400V DC +10% METALLIZED POLYPROPYLENE FILM CAP PM-CON 7A2G223K-NA
C0827	54-A1008EAF-00	10 UF 50V +20% ELECTROLYTIC CAP	C1308	54-A4705EAH-00	4.7 UF 160V +20% ELECTROLYTIC CAP. (UVX2C4R7MPA)
C0828	54-04705EAD-00	4.7 UF 25V +20% ELECTROLYTIC CAPACITOR (SMR TYPE)	C1309	54-85801-25	580 PF 2KV +20% CERAMIC CAP
C0829	54-A1008EAF-00	10 UF 50V +20% ELECTROLYTIC CAP	CF0800	86-57401-02	CERAMIC FILTER SFT5.74MA
C0830	54-41001-75	100 PF 50V +5% CERAMIC CAP	CF0801	86-55001-02	CERAMIC FILTER 5.5 MHZ, TYPE NO. SFSH5.5MCR (SFE5.5MB)
C0832	54-41001-75	100 PF 50V +5% CERAMIC CAP	D0102	51-08001-23	DIODE 1N4148
C0833	54-41001-75	100 PF 50V +5% CERAMIC CAP	D0103	51-02023-01	ZENER DIODE 5.1V HZ5C2
C0834	54-E1004HBF-00	0.1 UF 50V +80% -20% CERAMIC CAP. (U104229Y5VF62J5H)	D0104	51-08001-23	DIODE 1N4148
C0835	54-51002-75	0.001 UF 50V +10% CERAMIC CAP	D0105	51-08001-23	DIODE 1N4148
C0836	54-E1002DCF-00	0.001 UF 50V +10% POLYESTER FILM CAPACITOR	D0108	51-08001-23	DIODE 1N4148
C0837	54-72203-75	0.022 UF 50V +80% -20% CERAMIC CAP	D0107	51-08001-23	DIODE 1N4148
C0838	54-01007EAC-00	100 UF 16V +20% ELECTROLYTIC CAP. (SMR SERIES)	D0108	51-08001-23	DIODE 1N4148
C0839	54-01005EAF-00	1 UF 50V +20% ELECTROLYTIC CAP. (SMR SERIES)	D0109	51-08001-23	DIODE 1N4148
C0840	54-E1002DCF-00	0.001 UF 50V +10% POLYESTER FILM CAPACITOR	D0111	51-02023-01	ZENER DIODE 5.1V HZ5C2
C0841	54-01005EAF-00	1 UF 50V +20% ELECTROLYTIC CAP. (SMR SERIES)	D0300	51-03028-35	RECTIFIER DIODE RMIZ (FOR HIGH SPEED)
C0842	54-E1002DCF-00	0.001 UF 50V +10% POLYESTER FILM CAPACITOR	D0301	51-03057-05	RECTIFIER DIODE BY228
C0844	54-E1004HBF-00	0.1 UF 50V +80% -20% CERAMIC CAP. (U104229Y5VF62J5H)	D0302	51-03001-48	RECTIFIER DIODE FR155 (TAPE FORM)
C1001	54-04708EAB-00	47 UF 10V +20% ELECTROLYTIC CAPACITOR (SMR TYPE)	D0303	51-03053-05	RECTIFIER DIODE BYW95C (FOR FAST SPEED)
C1002	54-71003-75	0.01 UF 50V +80% -20% CERAMIC CAP	D0304	51-03020-02	DIODE S5295 G

## ELECTRICAL PART LIST

21

LOC	CHILD	DESC	LOC	CHILD	DESC
D0305	51-02029-01	ZENER DIODE 5.1V HZ5C2	IC0800	87-84735-02	I.C. L7805CV
D0391	51-03018-01	DIODE 1S2775 "TOSHIBA" TAPED REELED PACKAGE	IC0801	87-AF003857-01	I.C. TDA3857
D0392	51-02028-01	ZENER DIODE 7.5V HZ7C2	IC0802	87-AF008418-01	I.C. TDA8418
D0501	51-03020-02	DIODE S5295 G	IC0804	87-AF008425-01	I.C. TDA8425
D0502	51-03048-05	HIGH-SPEED SILICON DIODE 8AW82	IC0701	87-AF84C122-01	I.C. PCA84C122
D0503	51-03048-05	HIGH-SPEED SILICON DIODE 8AW82	IC0800	87-AF84C841-01	I.C. PCA84C841 CTV 350S
D0504	51-03048-05	HIGH-SPEED SILICON DIODE 8AW82	IC0801	87-AF008522-01	I.C. PCF8522F
D0505	51-03048-05	HIGH-SPEED SILICON DIODE 8AW82	IC0803	87-14215-01	I.C. LA7910
D0508	51-03052-05	RECTIFIER DIODE BYW54	IC0804	87-80430-01	I.C. UPC574J
D0507	51-03052-05	RECTIFIER DIODE BYW54	IC0805	87-34018-01	I.C. TC4053BP
D0508	51-03052-05	RECTIFIER DIODE BYW54	IC0901	87-32705-02	I.C. TC74HC241P
D0509	51-03052-05	RECTIFIER DIODE BYW54	IC1001	69-02015-02	PHOTO RECEIVER MODULE SPS-408-1-L
D0510	51-03051-05	RECTIFIER DIODE BYD33D (FOR FAST SPEED)	IC1101	87-85128-02	I.C. TDA2009A
D0512	51-03053-05	RECTIFIER DIODE BYW85C (FOR FAST SPEED)	L0100	59-08401-01	COIL (TYPE NO. : 2920CS-A491HM)
D0513	51-03048-05	RECTIFIER DIODE BYV86D	L0101	59-08401-10	5.8 UH +.5% PEAKING COIL EC24-5R6J TAPED REELED PACKAGE
D0514	51-03054-05	RECTIFIER DIODE BYV28D (FOR HIGH SPEED)	L0108	59-08401-04	88 UH +.10% COIL EC36-880K
D0515	51-03051-05	RECTIFIER DIODE BYD33D (FOR FAST SPEED)	L0107	59-08401-13	0.56 UH +.20% COIL EC24-R56M
D0518	51-02024-01	ZENER DIODE 6.2V HZ6C2	L0111	59-08401-07	1.8 UH +.10% PEAKING COIL (EC24-1R8K)
D0530	51-02029-01	ZENER DIODE HZ12A2 (12V) 1/2W TAPED REELED PACKAGE	L0300	59-08401-01	1.2 UH +.10% COIL EC24-1R2K
D0541	51-08001-23	DIODE 1N4148	L0301	59-53103-01	LINEARITY COIL (LS-14F-05)
D0701	89-01014-28	LED - SE1003-C	L0303	59-02401-08	1 UH CHOKE COIL
D0800	51-08001-23	DIODE 1N4148	L0501	59-05804-01	5 UH +.10% INDUCTOR COIL
D0801	51-08001-23	DIODE 1N4148	L0503	85-03005-31	FERRITE BEAD
D0805	51-08001-23	DIODE 1N4148	L0504	59-02401-08	1 UH CHOKE COIL
D0808	51-08001-23	DIODE 1N4148	L0505	85-03005-31	FERRITE BEAD
D0807	51-08001-23	DIODE 1N4148	L0508	59-02401-08	1 UH CHOKE COIL
D0808	51-08001-23	DIODE 1N4148	L0508	85-03005-31	FERRITE BEAD
D0809	51-08001-23	DIODE 1N4148	L0509	85-03005-31	FERRITE BEAD
D0810	51-08001-23	DIODE 1N4148	L0511	59-03401-01	INDUCTOR COIL 100 UH +.15% (HIGH CURRENT)
D0812	51-08001-23	DIODE 1N4148	L0512	85-03005-31	FERRITE BEAD
D1101	51-08001-23	DIODE 1N4148	L0514	59-08401-03	12 UH +.10% COIL EC24-120K
D1301	51-03001-48	RECTIFIER DIODE FR155 (TAPE FORM)	L0515	59-73783-02	LINE FILTER
D1302	51-03001-48	RECTIFIER DIODE FR155 (TAPE FORM)	L0520	59-08401-03	12 UH +.10% COIL EC24-120K
F0501	72-01085-01	FUSE 5ST 5A250V (SEMKO APPROVAL)	L0800	59-08401-05	1 UH +.10% PEAKING COIL (EC24-1R0K)
F80300	85-03005-31	FERRITE BEAD	L0801	59-08505-01	SOUND DEMODULATOR COIL 5.5 MHZ (7 MM)
IC0100	87-AF008382-01	I.C. TDA8382	L0802	59-08505-01	SOUND DEMODULATOR COIL 5.5 MHZ (7 MM)
IC0101	87-AF004885-01	I.C. TDA4885	L0803	59-08401-02	COIL 7MM (292KNAS-A801EL)
IC0103	87-AJ7808CV-01	I.C. L7808CV	L0800	59-08401-04	88 UH +.10% COIL EC36-880K
IC0300	87-35730-01	I.C. TA8427K	L0801	59-08401-03	12 UH +.10% COIL EC24-120K
IC0301	87-84735-01	I.C. L7812CV	L0802	59-08401-04	88 UH +.10% COIL EC36-880K
IC0501	87-08220-01	I.C. TDA8380A	L0900	59-08401-04	88 UH +.10% COIL EC36-880K
IC0502	89-02009-02	HIGH-VOLTAGE OPTOCOUPLER CNX82A.300	L1001	59-08401-04	88 UH +.10% COIL EC36-880K
IC0504	87-84735-02	I.C. L7805CV	L1101	59-03401-01	INDUCTOR COIL 100 UH +.15% (HIGH CURRENT)

ELECTRICAL PART LIST

LOC	CHILD	DESC	LOC	CHILD	DESC
L1301	58-52902-01	CHOKE COIL 800UH + 5% 0.5 OHM MAX. LCK-800	Q0813	50-40708-07	TRANSISTOR 2SC1815-Y
LD1001	89-01014-38	LED TLR114A (RED)	Q1001	50-30715-07	TRANSISTOR 2SA1015-Y
LD1002	89-01014-38	LED TLR114A (RED)	Q1100	50-40783-02	TRANSISTOR 2SC2878B
PSF0100	88-18001-33	SAW FILTER TSF5315 - 38.9 MHZ (FTZ VIDEO CHANNEL)	Q1101	50-40783-02	TRANSISTOR 2SC2878B
PT1100	81-10093-01	SPEAKER TERMINAL (HBT5008-01-010)	Q1102	50-30715-07	TRANSISTOR 2SA1015-Y
Q0101	50-40708-07	TRANSISTOR 2SC1815-Y	Q1103	50-40708-07	TRANSISTOR 2SC1815-Y
Q0102	50-40708-07	TRANSISTOR 2SC1815-Y	Q1104	50-40708-07	TRANSISTOR 2SC1815-Y
Q0104	50-40708-07	TRANSISTOR 2SC1815-Y	Q1301	50-40708-07	TRANSISTOR 2SC1815-Y
Q0105	50-40708-07	TRANSISTOR 2SC1815-Y	Q1302	50-40708-07	TRANSISTOR 2SC1815-Y
Q0108	50-40725-08	TRANSISTOR 2SC2717	Q1303	50-50704-11	TRANSISTOR 2SK30ATM-GR
Q0108	50-40708-07	TRANSISTOR 2SC1815-Y	Q1304	50-30715-07	TRANSISTOR 2SA1015-Y
Q0109	50-40708-07	TRANSISTOR 2SC1815-Y	Q1305	50-40755-07	TRANSISTOR 2SD880
Q0110	50-40708-07	TRANSISTOR 2SC1815-Y	R0103	52-AI3902CAC-01	390 OHM 1/4W + 5% CARBON FILM RESISTOR RD25-TP52 TYPE
Q0111	50-40708-07	TRANSISTOR 2SC1815-Y	R0104	52-AI8803CAC-01	6.8 KOHM 1/4W + 5% CARBON FILM RESISTOR RD25-TP52 TYPE
Q0112	50-40708-07	TRANSISTOR 2SC1815-Y	R0105	52-AI1805CAC-01	180 KOHM 1/4W + 5% CARBON FILM RESISTOR RD25-TP52 TYPE
Q0300	50-40708-07	TRANSISTOR 2SC1815-Y	R0106	52-AI1803CAC-01	1.8 KOHM 1/4W + 5% CARBON FILM RESISTOR RD25-TP52 TYPE
Q0301	50-40756-05	TRANSISTOR 2SC1589	R0107	52-AI4703CAC-01	4.7 KOHM 1/4W + 5% CARBON FILM RESISTOR RD25-TP52 TYPE
Q0302	50-40223-01	TRANSISTOR BU2520AX	R0114	52-AI1004CAC-01	10 KOHM 1/4W + 5% CARBON FILM RESISTOR RD25-TP52 TYPE
Q0391	50-40708-07	TRANSISTOR 2SC1815-Y	R0115	52-AI1004CAC-01	10 KOHM 1/4W + 5% CARBON FILM RESISTOR RD25-TP52 TYPE
Q0392	50-30715-07	TRANSISTOR 2SA1015-Y	R0116	52-AI1003CAC-01	1 KOHM 1/4W + 5% CARBON FILM RESISTOR RD25-TP52 TYPE
Q0393	50-40708-07	TRANSISTOR 2SC1815-Y	R0117	52-AI1003CAC-01	1 KOHM 1/4W + 5% CARBON FILM RESISTOR RD25-TP52 TYPE
Q0401	50-40733-04	TRANSISTOR 2SC2482	R0118	52-AI1003CAC-01	1 KOHM 1/4W + 5% CARBON FILM RESISTOR RD25-TP52 TYPE
Q0402	50-40733-04	TRANSISTOR 2SC2482	R0119	52-AI4701CAC-01	47 OHM 1/4W + 5% CARBON FILM RESISTOR RD25-TP52 TYPE
Q0403	50-40733-04	TRANSISTOR 2SC2482	R0120	52-AI1802CAC-01	180 OHM 1/4W + 5% CARBON FILM RESISTOR RD25-TP52 TYPE
Q0502	50-40531-05	TRANSISTOR 2SC 3552M (W/IS-MPC MICA (0021))	R0121	52-AI1102CAC-01	110 OHM 1/4W + 5% CARBON FILM RESISTOR RD25-TP52 TYPE
Q0503	50-30715-07	TRANSISTOR 2SA1015-Y	R0122	52-AI2203CAC-01	2.2 KOHM 1/4W + 5% CARBON FILM RESISTOR RD25-TP52 TYPE
Q0504	50-30715-07	TRANSISTOR 2SA1015-Y	R0123	52-AI1003CAC-01	1 KOHM 1/4W + 5% CARBON FILM RESISTOR RD25-TP52 TYPE
Q0530	50-40527-07	TRANSISTOR 2SD812E	R0124	52-AI7501CAC-01	75 OHM 1/4W + 5% CARBON FILM RESISTOR RD25-TP52 TYPE
Q0531	50-40708-07	TRANSISTOR 2SC1815-Y	R0125	52-AI1004CAC-01	10 KOHM 1/4W + 5% CARBON FILM RESISTOR RD25-TP52 TYPE
Q0800	50-40725-08	TRANSISTOR 2SC2717	R0126	52-AI8803CAC-01	6.8 KOHM 1/4W + 5% CARBON FILM RESISTOR RD25-TP52 TYPE
Q0701	50-30715-08	TRANSISTOR 2SA1015GR	R0127	52-AI7501CAC-01	75 OHM 1/4W + 5% CARBON FILM RESISTOR RD25-TP52 TYPE
Q0800	50-40708-07	TRANSISTOR 2SC1815-Y	R0128	52-AI1004CAC-01	10 KOHM 1/4W + 5% CARBON FILM RESISTOR RD25-TP52 TYPE
Q0801	50-40708-07	TRANSISTOR 2SC1815-Y	R0129	52-AI1502CAC-01	150 OHM 1/4W + 5% CARBON FILM RESISTOR RD25-TP52 TYPE
Q0802	50-40708-07	TRANSISTOR 2SC1815-Y	R0130	52-AI4702CAC-01	470 OHM 1/4W + 5% CARBON FILM RESISTOR RD25-TP52 TYPE
Q0803	50-40708-07	TRANSISTOR 2SC1815-Y	R0131	52-AI4702CAC-01	470 OHM 1/4W + 5% CARBON FILM RESISTOR RD25-TP52 TYPE
Q0804	50-40708-07	TRANSISTOR 2SC1815-Y	R0132	52-AI4702CAC-01	470 OHM 1/4W + 5% CARBON FILM RESISTOR RD25-TP52 TYPE
Q0805	50-40708-07	TRANSISTOR 2SC1815-Y	R0133	52-AI4702CAC-01	470 OHM 1/4W + 5% CARBON FILM RESISTOR RD25-TP52 TYPE
Q0806	50-40708-07	TRANSISTOR 2SC1815-Y	R0134	52-AI1004CAS-00	10 KOHM 1/8W + 5% CARBON FILM RESISTOR
Q0806	50-40708-07	TRANSISTOR 2SC1815-Y	R0135	52-AI7501CAC-01	75 OHM 1/4W + 5% CARBON FILM RESISTOR RD25-TP52 TYPE
Q0809	50-40708-07	TRANSISTOR 2SC1815-Y	R0136	52-AI7501CAC-01	75 OHM 1/4W + 5% CARBON FILM RESISTOR RD25-TP52 TYPE
Q0810	50-40708-07	TRANSISTOR 2SC1815-Y	R0137	52-AI7501CAC-01	75 OHM 1/4W + 5% CARBON FILM RESISTOR RD25-TP52 TYPE
Q0811	50-40708-07	TRANSISTOR 2SC1815-Y	R0138	52-AI1004CAC-01	10 KOHM 1/4W + 5% CARBON FILM RESISTOR RD25-TP52 TYPE
Q0812	50-40708-07	TRANSISTOR 2SC1815-Y	R0139	52-AI1004CAC-01	10 KOHM 1/4W + 5% CARBON FILM RESISTOR RD25-TP52 TYPE

ELECTRICAL PART LIST

23

LOC	CHILD	DESC
R0140	52-A11004CAC-01	10 KOHM 1/4W + 5% CARBON FILM RESISTOR RD25-TP52 TYPE
R0142	52-A11005CAC-01	100 KOHM 1/4W + 5% CARBON FILM RESISTOR RD25-TP52 TYPE
R0144	52-A11502CAC-01	150 OHM 1/4W + 5% CARBON FILM RESISTOR RD25-TP52 TYPE
R0145	52-A11002CAC-01	100 OHM 1/4W + 5% CARBON FILM RESISTOR RD25-TP52 TYPE
R0146	52-A11003CAC-01	1 KOHM 1/4W + 5% CARBON FILM RESISTOR RD25-TP52 TYPE
R0147	52-A15805CAC-01	580 KOHM 1/4W + 5% CARBON FILM RESISTOR RD25-TP52 TYPE
R0148	52-A11204CAC-01	12 KOHM 1/4W + 5% CARBON FILM RESISTOR RD25-TP52 TYPE
R0149	52-A13308CAC-01	3.3 MOHM 1/4W + 5% CARBON FILM RESISTOR RD25-TP52 TYPE
R0150	52-A13305CAC-01	330 KOHM 1/4W + 5% CARBON FILM RESISTOR RD25-TP52 TYPE
R0151	52-A14708CAC-01	4.7 MOHM 1/4W + 5% CARBO FILM RESISTOR RD25-TP52 TYPE
R0152	52-A11005CAC-01	100 KOHM 1/4W + 5% CARBON FILM RESISTOR RD25-TP52 TYPE
R0153	52-A11005CAC-01	100 KOHM 1/4W + 5% CARBON FILM RESISTOR RD25-TP52 TYPE
R0154	52-A12206CAC-01	2.2 MOHM 1/4W + 5% CARBON FILM RESISTOR RD25-TP52 TYPE
R0155	52-A18804CAC-01	88 KOHM 1/4W + 5% CARBON FILM RESISTOR RD25-TP52 TYPE
R0156	52-A18204CAC-01	82 KOHM 1/4W + 5% CARBON FILM RESISTOR RD25-TP52 TYPE
R0157	52-A11002CAC-01	100 OHM 1/4W + 5% CARBON FILM RESISTOR RD25-TP52 TYPE
R0158	52-A14701CAC-01	47 OHM 1/4W + 5% CARBON FILM RESISTOR RD25-TP52 TYPE
R0159	52-A11001CAC-01	10 OHM 1/4W + 5% CARBON FILM RESISTOR RD25-TP52 TYPE
R0160	52-A14703CAC-01	4.7 KOHM 1/4W + 5% CARBON FILM RESISTRO RD25-TP52 TYPE
R0161	52-A11203CAS-00	1.2 KOHM 1/8W + 5% CARBON FILM RESISTOR
R0162	52-A11203CAC-01	1.2 KOHM 1/4W + 5% CARBON FILM RESISTOR RD25-TP52 TYPE
R0163	52-A11002CAC-01	100 OHM 1/4W + 5% CARBON FILM RESISTOR RD25-TP52 TYPE
R0164	52-A11203CAC-01	1.2 KOHM 1/4W + 5% CARBON FILM RESISTOR RD25-TP52 TYPE
R0165	52-A11004CAC-01	10 KOHM 1/4W + 5% CARBON FILM RESISTOR RD25-TP52 TYPE
R0166	52-A13304CAC-01	33 KOHM 1/4W + 5% CARBON FILM RESISTOR RD25-TP52 TYPE
R0167	52-A11003CAC-01	1 KOHM 1/4W + 5% CARBON FILM RESISTOR RD25-TP52 TYPE
R0168	52-A15803CAC-01	5.8 KOHM 1/4W + 5% CARBON FILM RESISTOR RD25-TP52 TYPE
R0169	52-A12202CAC-01	220 OHM 1/4W + 5% CARBON FILM RESISTOR RD25-TP52 TYPE
R0171	52-A14703CAC-01	4.7 KOHM 1/4W + 5% CARBON FILM RESISTRO RD25-TP52 TYPE
R0172	52-A14701CAC-01	47 OHM 1/4W + 5% CARBON FILM RESISTOR RD25-TP52 TYPE
R0173	52-A14701CAC-01	47 OHM 1/4W + 5% CARBON FILM RESISTOR RD25-TP52 TYPE
R0174	52-A14701CAC-01	47 OHM 1/4W + 5% CARBON FILM RESISTOR RD25-TP52 TYPE
R0175	52-A11002CAC-01	100 OHM 1/4W + 5% CARBON FILM RESISTOR RD25-TP52 TYPE
R0176	52-A11003CAC-01	1 KOHM 1/4W + 5% CARBON FILM RESISTOR RD25-TP52 TYPE
R0177	52-A11004CAC-01	10 KOHM 1/4W + 5% CARBON FILM RESISTOR RD25-TP52 TYPE
R0178	52-A11805CAC-01	180 KOHM 1/4W + 5% CARBON FILM RESISTOR RD25-TP52 TYPE
R0179	52-A18202CAC-01	820 OHM 1/4W + 5% CARBON FILM RESISTOR RD25-TP52 TYPE
R0180	52-B8800CDF-00	8.8 OHM + 5% 2W FUSIBLE METAL FILM RESISTOR (FRN-MG TYPE)
R0181	52-A11004CAC-01	10 KOHM 1/4W + 5% CARBON FILM RESISTOR RD25-TP52 TYPE
R0182	52-A18202CAS-00	820 OHM 1/8W + 5% CARBON FILM RESISTOR
R0183	52-A11003CAC-01	1 KOHM 1/4W + 5% CARBON FILM RESISTOR RD25-TP52 TYPE
R0301	52-A14703CAC-01	4.7 KOHM 1/4W + 5% CARBON FILM RESISTRO RD25-TP52 TYPE
R0302	52-A18803CAC-01	8.8 KOHM 1/4W + 5% CARBON FILM RESISTOR RD25-TP52 TYPE

LOC	CHILD	DESC
R0303	52-A14703CAC-01	4.7 KOHM 1/4W + 5% CARBON FILM RESISTRO RD25-TP52 TYPE
R0304	52-B2402CBF-00	240 OHM 2W + 5% METAL OXIDE RESISTOR (RSN2B TYPE)
R0305	52-A15803CAC-01	5.8 KOHM 1/4W + 5% CARBON FILM RESISTOR RD25-TP52 TYPE
R0306	52-A13303CAC-01	3.3 KOHM 1/4W + 5% CARBON FILM RESISTOR RD25-TP52 TYPE
R0307	52-A11200CBF-00	1.2 OHM 2W + 5% METAL OXIDE FILM RESISTOR (RSS-SMF TYPE)
R0308	52-A11001CAC-01	10 OHM 1/4W + 5% CARBON FILM RESISTOR RD25-TP52 TYPE
R0309	52-A11003CAD-01	1 KOHM 1/2W + 5% CARBON FILM RESISTOR (RD-050-TP)
R0310	52-A11204CAC-01	12 KOHM 1/4W + 5% CARBON FILM RESISTOR RD25-TP52 TYPE
R0311	52-A11001CAD-01	10 OHM 1/2W + 5% CARBON FILM RESISTOR (RD-050-TP)
R0312	52-A11004CAD-01	10 KOHM 1/2W + 5% CARTON FILM RESISTER (RD-050-TP)
R0313	52-A13803CBG-00	3.6 KOHM 3W + 5% METAL OXIDE RESISTOR (RSS-SMF TYPE)
R0314	52-A13803CBG-00	3.6 KOHM 3W + 5% METAL OXIDE RESISTOR (RSS-SMF TYPE)
R0315	52-B1003CBE-00	1 KOHM 1W + 5% METAL OXIDE RESISTOR (RSN-1B TYPE)
R0316	52-A11005CAC-01	100 KOHM 1/4W + 5% CARBON FILM RESISTOR RD25-TP52 TYPE
R0317	52-B8800CDF-00	8.8 OHM + 5% 2W FUSIBLE METAL FILM RESISTOR (FRN-MG TYPE)
R0318	52-B4300CBF-00	4.3 OHM 2W + 5% METAL OXIDE RESISTOR (RSN-MG TYPE)
R0320	52-B0430CDF-00	0.43 OHM 2W + 5% FUSIBLE METAL FILM RESISTOR (FRN-MG TYPE)
R0321	52-A12002CAD-01	200 OHM 1/2W + 5% CARBON FILM RESISTER (RD-050-TP)
R0324	52-A14701CAD-01	47 OHM 1/2W + 5% CARBON FILM RESISTOR
R0329	52-A14703CAD-01	4.7 KOHM 1/2W + 5% CARBON FILM RESISTOR
R0331	52-A11204CAC-01	12 KOHM 1/4W + 5% CARBON FILM RESISTOR RD25-TP52 TYPE
R0332	52-A13303CAC-01	3.3 KOHM 1/4W + 5% CARBON FILM RESISTOR RD25-TP52 TYPE
R0391	52-A17503CAC-01	7.5 KOHM 1/4W + 5% CARBON FILM RESISTOR RD25-TP52 TYPE
R0392	52-A13303CAC-01	3.3 KOHM 1/4W + 5% CARBON FILM RESISTOR RD25-TP52 TYPE
R0393	52-A11004CAC-01	10 KOHM 1/4W + 5% CARBON FILM RESISTOR RD25-TP52 TYPE
R0394	52-A13303CAC-01	3.3 KOHM 1/4W + 5% CARBON FILM RESISTOR RD25-TP52 TYPE
R0401	52-A11504CBF-00	15 KOHM 2W + 5% METAL OXIDE RESISTOR (RSS-SMF TYPE)
R0402	52-A12703CAD-01	2.7 KOHM 1/2W + 5% CARBON FILMRESISTER (RD-050-TP)
R0403	52-A15802CAC-01	580 OHM 1/4W + 5% CARBON FILM RESISTOR RD25-TP52 TYPE
R0404	52-A12203CAC-01	2.2 KOHM 1/4W + 5% CARBON FILM RESISTOR RD25-TP52 TYPE
R0405	52-A11504CBF-00	15 KOHM 2W + 5% METAL OXIDE RESISTOR (RSS-SMF TYPE)
R0408	52-A12703CAD-01	2.7 KOHM 1/2W + 5% CARBON FILMRESISTER (RD-050-TP)
R0407	52-A14702CAC-01	470 OHM 1/4W + 5% CARBON FILM RESISTOR RD25-TP52 TYPE
R0408	52-A12203CAC-01	2.2 KOHM 1/4W + 5% CARBON FILM RESISTOR RD25-TP52 TYPE
R0409	52-A11504CBF-00	15 KOHM 2W + 5% METAL OXIDE RESISTOR (RSS-SMF TYPE)
R0410	52-A12703CAD-01	2.7 KOHM 1/2W + 5% CARBON FILMRESISTER (RD-050-TP)
R0411	52-A14702CAC-01	470 OHM 1/4W + 5% CARBON FILM RESISTOR RD25-TP52 TYPE
R0412	52-A12203CAC-01	2.2 KOHM 1/4W + 5% CARBON FILM RESISTOR RD25-TP52 TYPE
R0413	52-A11000CBF-00	1 OHM 2W + 5% METAL OXIDE FILM RESISTOR (RSS-SMF TYPE)
R0414	52-A14701CAC-01	47 OHM 1/4W + 5% CARBON FILM RESISTOR RD25-TP52 TYPE
R0415	52-A14701CAC-01	47 OHM 1/4W + 5% CARBON FILM RESISTOR RD25-TP52 TYPE
R0416	52-A14701CAC-01	47 OHM 1/4W + 5% CARBON FILM RESISTOR RD25-TP52 TYPE
R0501	52-I56080FD-00	5.6 MOHM 1/2W + 10% CARBON COMPOSITION RESISTOR (RC1126F)

ELECTRICAL PART LIST

LOC	CHILD	DESC
R0502	52-A11001CBG-00	10 OHM 3W +5% METAL OXIDE FILM RESISTOR (RSS-SMF TYPE)
R0503	52-A12202CAC-01	220 OHM 1/4W +5% CARBON FILM RESISTOR RD25-TP52 TYPE
R0504	52-A12204CAC-01	22 KOHM 1/4W +5% CARBON FILM RESISTOR RD25-TP52 TYPE
R0505	52-A11205CAC-01	120 KOHM 1/4W +5% CARBON FILM RESISTOR RD25-TP52 TYPE
R0506	52-A13003CAC-01	3 KOHM 1/4W +5% CARBON FILM RESISTOR RD25-TP52 TYPE
R0507	52-A13301CAC-01	33 OHM 1/4W +5% CARBON FILM RESISTOR RD25-TP52 TYPE
R0508	52-A14704CAC-01	47 KOHM 1/4W +5% CARBON FILM RESISTOR RD25-TP52 TYPE
R0509	52-B0390CBF-01	0.39 OHM 2W +5% METAL OXIDE FILM RESISTOR (RSS TYPE, MG FORM)
R0510	52-B0390CBF-01	0.39 OHM 2W +5% METAL OXIDE FILM RESISTOR (RSS TYPE, MG FORM)
R0511	52-B1504CDD-00	15 KOHM 1/2W +5% FUSIBLE METAL FILM RESISTOR (FRN TYPE)
R0512	52-A13804CBG-00	38 KOHM 3W +5% METAL OXIDE FILM RESISTOR (RSS-SMF TYPE)
R0513	52-A11004CAC-01	10 KOHM 1/4W +5% CARBON FILM RESISTOR RD25-TP52 TYPE
R0514	52-B3302CHJ-00	330 OHM 10W +5% WIRE WOUND RESISTOR (SQZ TYPE, CEMENT TYPE)
R0515	52-11007EFD-00	10 MOHM 1/2W +20% CARBON COMPOSITION RESISTOR (RC1/2GF)
R0518	52-AQ4704CND-01	47 KOHM 1/2W +5% METAL FILM RESISTOR (BROWN) (RJ TYPE)
R0519	52-AQ4704CND-01	47 KOHM 1/2W +5% METAL FILM RESISTOR (BROWN) (RJ TYPE)
R0520	52-A11005CAD-01	100 KOHM 1/2W +5% CARBON FILM RESISTOR
R0521	52-A13303CAC-01	3.3 KOHM 1/4W +5% CARBON FILM RESISTOR RD25-TP52 TYPE
R0522	52-B1001CCK-00	1 OHM 15W +5% WIRE WOUND RESISTOR (CEMENT TYPE SQZ TYPE)
R0523	52-L1801FIX-02	THERMISTOR PTH451C202BG180N270
R0524	52-A18803CAC-01	8.8 KOHM 1/4W +5% CARBON FILM RESISTOR RD25-TP52 TYPE
R0525	52-A11003CAC-01	1 KOHM 1/4W +5% CARBON FILM RESISTOR RD25-TP52 TYPE
R0528	52-A11004CAC-01	10 KOHM 1/4W +5% CARBON FILM RESISTOR RD25-TP52 TYPE
R0527	52-A11000CAC-01	1 OHM 1/4W +5% CARBON FILM RESISTOR RD25-TP52 TYPE
R0528	52-A12701CBF-00	27 OHM 2W +5% METAL OXIDE FIXED RESISTOR (RSS2W SMF270HMJ)
R0530	52-B1000CBD-00	1 OHM 1/2W +5% METAL OXIDE RESISTOR (RSN TYPE)
R0531	52-A15102CAD-01	510 OHM 1/2W +5% CARBON FILM RESISTOR
R0532	52-A13303CAC-01	3.3 KOHM 1/4W +5% CARBON FILM RESISTOR RD25-TP52 TYPE
R0533	52-A18803CAC-01	8.8 KOHM 1/4W +5% CARBON FILM RESISTOR RD25-TP52 TYPE
R0600	52-A11801CBF-00	18 OHM 2W +5% METAL OXIDE RESISTOR (RSS-SMF TYPE)
R0601	52-A18201CAC-01	82 OHM 1/4W +5% CARBON FILM RESISTOR RD25-TP52 TYPE
R0602	52-A11001CAC-01	10 OHM 1/4W +5% CARBON FILM RESISTOR RD25-TP52 TYPE
R0603	52-A14703CAC-01	4.7 KOHM 1/4W +5% CARBON FILM RESISTOR RD25-TP52 TYPE
R0604	52-A11203CAC-01	1.2 KOHM 1/4W +5% CARBON FILM RESISTOR RD25-TP52 TYPE
R0605	52-A18201CAC-01	82 OHM 1/4W +5% CARBON FILM RESISTOR RD25-TP52 TYPE
R0608	52-A18201CAC-01	82 OHM 1/4W +5% CARBON FILM RESISTOR RD25-TP52 TYPE
R0607	52-A11001CAC-01	10 OHM 1/4W +5% CARBON FILM RESISTOR RD25-TP52 TYPE
R0608	52-A15802CAC-01	580 OHM 1/4W +5% CARBON FILM RESISTOR RD25-TP52 TYPE
R0609	52-A15802CAC-01	580 OHM 1/4W +5% CARBON FILM RESISTOR RD25-TP52 TYPE
R0610	52-A11503CAC-01	1.5 KOHM 1/4W +5% CARBON FILM RESISTOR RD25-TP52 TYPE
R0611	52-A12203CAC-01	2.2 KOHM 1/4W +5% CARBON FILM RESISTOR RD25-TP52 TYPE
R0612	52-A12203CAC-01	2.2 KOHM 1/4W +5% CARBON FILM RESISTOR RD25-TP52 TYPE
R0613	52-A19102CAC-01	810 OHM 1/4W +5% CARBON FILM RESISTOR RD25-TP52 TYPE

LOC	CHILD	DESC
R0614	52-A11203CAC-01	1.2 KOHM 1/4W +5% CARBON FILM RESISTOR RD25-TP52 TYPE
R0615	52-A11503CAC-01	1.5 KOHM 1/4W +5% CARBON FILM RESISTOR RD25-TP52 TYPE
R0630	52-A15103CAC-01	5.1 KOHM 1/4W +5% CARBON FILM RESISTOR RD25-TP52 TYPE
R0630	52-B6803CBF-00	6.8 KOHM 2W +5% METAL OXIDE RESISTOR (RSN TYPE)
R0631	52-A15103CAC-01	5.1 KOHM 1/4W +5% CARBON FILM RESISTOR RD25-TP52 TYPE
R0632	52-A11004CAC-01	10 KOHM 1/4W +5% CARBON FILM RESISTOR RD25-TP52 TYPE
R0633	52-A11004CAC-01	10 KOHM 1/4W +5% CARBON FILM RESISTOR RD25-TP52 TYPE
R0641	52-A11004CAC-01	10 KOHM 1/4W +5% CARBON FILM RESISTOR RD25-TP52 TYPE
R0642	52-A11008CAC-01	1 MOHM 1/4W +5% CARBON FILM RESISTOR RD25-TP52 TYPE
R0643	52-A11004CAC-01	10 KOHM 1/4W +5% CARBON FILM RESISTOR RD25-TP52 TYPE
R0644	52-A11008CAC-01	1 MOHM 1/4W +5% CARBON FILM RESISTOR RD25-TP52 TYPE
R0680	52-A11004CAC-01	10 KOHM 1/4W +5% CARBON FILM RESISTOR RD25-TP52 TYPE
R0681	52-A11004CAC-01	10 KOHM 1/4W +5% CARBON FILM RESISTOR RD25-TP52 TYPE
R0682	52-A12000CAC-01	2 OHM 1/4W +5% CARBON FILM RESISTOR RD25-TP52 TYPE
R0683	52-A11504CAC-01	15 KOHM 1/4W +5% CARBON FILM RESISTOR RD25-TP52 TYPE
R0684	52-A11504CAC-01	15 KOHM 1/4W +5% CARBON FILM RESISTOR RD25-TP52 TYPE
R0685	52-A15103CAC-01	5.1 KOHM 1/4W +5% CARBON FILM RESISTOR RD25-TP52 TYPE
R0688	52-A15103CAC-01	5.1 KOHM 1/4W +5% CARBON FILM RESISTOR RD25-TP52 TYPE
R0701	52-A11003CAS-00	1 KOHM 1/6W +5% CARBON FILM RESISTOR
R0702	52-A11201CAS-00	12 OHM 1/6W +5% CARBON FILM RESISTOR
R0703	52-A11004CAS-00	10 KOHM 1/6W +5% CARBON FILM RESISTOR
R0800	52-A11003CAC-01	1 KOHM 1/4W +5% CARBON FILM RESISTOR RD25-TP52 TYPE
R0801	52-A12204CAC-01	22 KOHM 1/4W +5% CARBON FILM RESISTOR RD25-TP52 TYPE
R0802	52-A11004CAC-01	10 KOHM 1/4W +5% CARBON FILM RESISTOR RD25-TP52 TYPE
R0803	52-A11805CAC-01	180 KOHM 1/4W +5% CARBON FILM RESISTOR RD25-TP52 TYPE
R0804	52-A11504CAC-01	15 KOHM 1/4W +5% CARBON FILM RESISTOR RD25-TP52 TYPE
R0805	52-A18803CAC-01	6.8 KOHM 1/4W +5% CARBON FILM RESISTOR RD25-TP52 TYPE
R0808	52-A18803CAC-01	6.8 KOHM 1/4W +5% CARBON FILM RESISTOR RD25-TP52 TYPE
R0808	52-A11004CAC-01	10 KOHM 1/4W +5% CARBON FILM RESISTOR RD25-TP52 TYPE
R0809	52-A11003CAC-01	1 KOHM 1/4W +5% CARBON FILM RESISTOR RD25-TP52 TYPE
R0810	52-A18203CAC-01	6.2 KOHM 1/4W +5% CARBON FILM RESISTOR RD25-TP52 TYPE
R0812	52-A11504CAC-01	15 KOHM 1/4W +5% CARBON FILM RESISTOR RD25-TP52 TYPE
R0813	52-A14704CAC-01	47 KOHM 1/4W +5% CARBON FILM RESISTOR RD25-TP52 TYPE
R0814	52-A11004CAC-01	10 KOHM 1/4W +5% CARBON FILM RESISTOR RD25-TP52 TYPE
R0815	52-A11203CAC-01	1.2 KOHM 1/4W +5% CARBON FILM RESISTOR RD25-TP52 TYPE
R0816	52-A14703CAC-01	4.7 KOHM 1/4W +5% CARBON FILM RESISTOR RD25-TP52 TYPE
R0818	52-A11004CAC-01	10 KOHM 1/4W +5% CARBON FILM RESISTOR RD25-TP52 TYPE
R0818	52-A11003CAC-01	1 KOHM 1/4W +5% CARBON FILM RESISTOR RD25-TP52 TYPE
R0820	52-A15103CAC-01	5.1 KOHM 1/4W +5% CARBON FILM RESISTOR RD25-TP52 TYPE
R0821	52-A11503CAC-01	1.5 KOHM 1/4W +5% CARBON FILM RESISTOR RD25-TP52 TYPE
R0822	52-A13304CAC-01	33 KOHM 1/4W +5% CARBON FILM RESISTOR RD25-TP52 TYPE
R0823	52-A13304CAC-01	33 KOHM 1/4W +5% CARBON FILM RESISTOR RD25-TP52 TYPE
R0824	52-A12703CAC-01	2.7 KOHM 1/4W +5% CARBON FILM RESISTOR RD25-TP52 TYPE

ELECTRICAL PART LIST

25

LOC	CHILD	DESC
R0825	52-AI1004CAC-01	10 KOHM 1/4W + 5% CARBON FILM RESISTOR RD25-TP52 TYPE
R0826	52-AI1004CAC-01	10 KOHM 1/4W + 5% CARBON FILM RESISTOR RD25-TP52 TYPE
R0827	52-AI2204CAC-01	22 KOHM 1/4W + 5% CARBON FILM RESISTOR RD25-TP52 TYPE
R0828	52-AI1004CAC-01	10 KOHM 1/4W + 5% CARBON FILM RESISTOR RD25-TP52 TYPE
R0829	52-AI1803CAC-01	1.8 KOHM 1/4W + 5% CARBON FILM RESISTOR RD25-TP52 TYPE
R0830	52-AI1003CAC-01	1 KOHM 1/4W + 5% CARBON FILM RESISTOR RD25-TP52 TYPE
R0831	52-AI1003CAC-01	1 KOHM 1/4W + 5% CARBON FILM RESISTOR RD25-TP52 TYPE
R0832	52-AI1003CAC-01	1 KOHM 1/4W + 5% CARBON FILM RESISTOR RD25-TP52 TYPE
R0833	52-AI1003CAC-01	1 KOHM 1/4W + 5% CARBON FILM RESISTOR RD25-TP52 TYPE
R0834	52-AI1003CAC-01	1 KOHM 1/4W + 5% CARBON FILM RESISTOR RD25-TP52 TYPE
R0835	52-AI1003CAC-01	1 KOHM 1/4W + 5% CARBON FILM RESISTOR RD25-TP52 TYPE
R0836	52-AI1003CAC-01	1 KOHM 1/4W + 5% CARBON FILM RESISTOR RD25-TP52 TYPE
R0837	52-AI1003CAC-01	1 KOHM 1/4W + 5% CARBON FILM RESISTOR RD25-TP52 TYPE
R0838	52-AI4703CAC-01	4.7 KOHM 1/4W + 5% CARBON FILM RESISTOR RD25-TP52 TYPE
R0839	52-AI4703CAC-01	4.7 KOHM 1/4W + 5% CARBON FILM RESISTOR RD25-TP52 TYPE
R0840	52-AI4703CAC-01	4.7 KOHM 1/4W + 5% CARBON FILM RESISTOR RD25-TP52 TYPE
R0841	52-AI4703CAC-01	4.7 KOHM 1/4W + 5% CARBON FILM RESISTOR RD25-TP52 TYPE
R0844	52-AI1003CAC-01	1 KOHM 1/4W + 5% CARBON FILM RESISTOR RD25-TP52 TYPE
R0845	52-AI4704CAC-01	47 KOHM 1/4W + 5% CARBON FILM RESISTOR RD25-TP52 TYPE
R0846	52-AI1004CAC-01	10 KOHM 1/4W + 5% CARBON FILM RESISTOR RD25-TP52 TYPE
R0847	52-AI1003CAC-01	1 KOHM 1/4W + 5% CARBON FILM RESISTOR RD25-TP52 TYPE
R0848	52-AI3303CAC-01	3.3 KOHM 1/4W + 5% CARBON FILM RESISTOR RD25-TP52 TYPE
R0849	52-AI1002CAC-01	100 OHM 1/4W + 5% CARBON FILM RESISTOR RD25-TP52 TYPE
R0850	52-AI3303CAC-01	3.3 KOHM 1/4W + 5% CARBON FILM RESISTOR RD25-TP52 TYPE
R0851	52-AI1002CAC-01	100 OHM 1/4W + 5% CARBON FILM RESISTOR RD25-TP52 TYPE
R0853	52-AI1004CAC-01	10 KOHM 1/4W + 5% CARBON FILM RESISTOR RD25-TP52 TYPE
R0854	52-AI1004CAC-01	10 KOHM 1/4W + 5% CARBON FILM RESISTOR RD25-TP52 TYPE
R0855	52-AI1004CAC-01	10 KOHM 1/4W + 5% CARBON FILM RESISTOR RD25-TP52 TYPE
R0860	52-AI3303CAC-01	3.3 KOHM 1/4W + 5% CARBON FILM RESISTOR RD25-TP52 TYPE
R0864	52-AI1002CAS-00	100 OHM 1/8W + 5% CARBON FILM RESISTOR
R0865	52-AI1004CAC-01	10 KOHM 1/4W + 5% CARBON FILM RESISTOR RD25-TP52 TYPE
R0866	52-AI4304CAC-01	43 KOHM 1/4W + 5% CARBON FILM RESISTOR (RD25-TP52 TYPE)
R0867	52-AI1004CAC-01	10 KOHM 1/4W + 5% CARBON FILM RESISTOR RD25-TP52 TYPE
R0868	52-AI1803CAC-01	1.8 KOHM 1/4W + 5% CARBON FILM RESISTOR RD25-TP52 TYPE
R0869	52-AI1004CAS-00	10 KOHM 1/8W + 5% CARBON FILM RESISTOR
R0870	52-AI7501CAS-00	75 OHM 1/8W + 5% CARBON FILM RESISTOR
R0879	52-AI1004CAC-01	10 KOHM 1/4W + 5% CARBON FILM RESISTOR RD25-TP52 TYPE
R0890	52-AI2204CAC-01	22 KOHM 1/4W + 5% CARBON FILM RESISTOR RD25-TP52 TYPE
R0891	52-AI1803CAC-01	1.8 KOHM 1/4W + 5% CARBON FILM RESISTOR RD25-TP52 TYPE
R0892	52-AI7501CAC-01	75 OHM 1/4W + 5% CARBON FILM RESISTOR RD25-TP52 TYPE
R0893	52-AI1004CAC-01	10 KOHM 1/4W + 5% CARBON FILM RESISTOR RD25-TP52 TYPE
R0894	52-AI1004CAC-01	10 KOHM 1/4W + 5% CARBON FILM RESISTOR RD25-TP52 TYPE
R0895	52-AI4704CAC-01	47 KOHM 1/4W + 5% CARBON FILM RESISTOR RD25-TP52 TYPE

LOC	CHILD	DESC
R0896	52-AI1004CAC-01	10 KOHM 1/4W + 5% CARBON FILM RESISTOR RD25-TP52 TYPE
R0897	52-AI4704CAC-01	47 KOHM 1/4W + 5% CARBON FILM RESISTOR RD25-TP52 TYPE
R0898	52-AI1004CAC-01	10 KOHM 1/4W + 5% CARBON FILM RESISTOR RD25-TP52 TYPE
R0899	52-AI1004CAC-01	10 KOHM 1/4W + 5% CARBON FILM RESISTOR RD25-TP52 TYPE
R1001	52-AI1502CAD-01	150 OHM 1/2W + 5% CARBON FILM RESISTOR
R1002	52-AI1502CAD-01	150 OHM 1/2W + 5% CARBON FILM RESISTOR
R1003	52-AI4704CAC-01	47 KOHM 1/4W + 5% CARBON FILM RESISTOR RD25-TP52 TYPE
R1004	52-AI1203CAC-01	1.2 KOHM 1/4W + 5% CARBON FILM RESISTOR RD25-TP52 TYPE
R1005	52-AI4702CAC-01	470 OHM 1/4W + 5% CARBON FILM RESISTOR RD25-TP52 TYPE
R1100	52-AI4703CAC-01	4.7 KOHM 1/4W + 5% CARBON FILM RESISTOR RD25-TP52 TYPE
R1102	52-AI2203CAC-01	2.2 KOHM 1/4W + 5% CARBON FILM RESISTOR RD25-TP52 TYPE
R1103	52-AI2203CAC-01	2.2 KOHM 1/4W + 5% CARBON FILM RESISTOR RD25-TP52 TYPE
R1104	52-AI4703CAC-01	4.7 KOHM 1/4W + 5% CARBON FILM RESISTOR RD25-TP52 TYPE
R1105	52-AI3304CAC-01	33 KOHM 1/4W + 5% CARBON FILM RESISTOR RD25-TP52 TYPE
R1108	52-AI1303CAC-01	1.3 KOHM 1/4W + 5% CARBON FILM RESISTOR RD25-TP52 TYPE
R1109	52-AI3301CAC-01	33 OHM 1/4W + 5% CARBON FILM RESISTOR RD25-TP52 TYPE
R1110	52-AI1000CAC-01	1 OHM 1/4W + 5% CARBON FILM RESISTOR RD25-TP52 TYPE
R1111	52-AI3301CAC-01	33 OHM 1/4W + 5% CARBON FILM RESISTOR RD25-TP52 TYPE
R1112	52-AI1303CAC-01	1.3 KOHM 1/4W + 5% CARBON FILM RESISTOR RD25-TP52 TYPE
R1113	52-AI1000CAC-01	1 OHM 1/4W + 5% CARBON FILM RESISTOR RD25-TP52 TYPE
R1114	52-AI0220CBF-00	0.22 OHM 2W + 5% METAL OXIDE RESISTOR (RSS-SMF TYPE)
R1115	52-AI0220CBF-00	0.22 OHM 2W + 5% METAL OXIDE RESISTOR (RSS-SMF TYPE)
R1301	52-AI1504CAC-01	15 KOHM 1/4W + 5% CARBON FILM RESISTOR RD25-TP52 TYPE
R1302	52-AI7504CAC-01	75 KOHM 1/4W + 5% CARBON FILM RESISTOR RD25-TP52 TYPE
R1303	52-AI1505CAC-01	150 KOHM 1/4W + 5% CARBON FILM RESISTOR RD25-TP52 TYPE
R1304	52-AI2705CAC-01	270 KOHM 1/4W + 5% CARBON FILM RESISTOR RD25-TP52 TYPE
R1305	52-AI1004CAC-01	10 KOHM 1/4W + 5% CARBON FILM RESISTOR RD25-TP52 TYPE
R1308	52-AI4703CAC-01	4.7 KOHM 1/4W + 5% CARBON FILM RESISTOR RD25-TP52 TYPE
R1307	52-AI2704CAC-01	27 KOHM 1/4W + 5% CARBON FILM RESISTOR RD25-TP52 TYPE
R1308	52-AI2404CAC-01	24 KOHM 1/4W + 5% CARBON FILM RESISTOR RD25-TP52 TYPE
R1308	52-AI1805CAC-01	180 KOHM 1/4W + 5% CARBON FILM RESISTOR RD25-TP52 TYPE
R1310	52-AI2204CAC-01	22 KOHM 1/4W + 5% CARBON FILM RESISTOR RD25-TP52 TYPE
R1311	52-AI1504CAC-01	15 KOHM 1/4W + 5% CARBON FILM RESISTOR RD25-TP52 TYPE
R1312	52-AI1002CAC-01	100 OHM 1/4W + 5% CARBON FILM RESISTOR RD25-TP52 TYPE
R1313	52-AI1003CAC-01	1 KOHM 1/4W + 5% CARBON FILM RESISTOR RD25-TP52 TYPE
R1314	52-AI2403CAC-01	2.4 KOHM 1/4W + 5% CARBON FILM RESISTOR RD25-TP52 TYPE
R1315	52-AI1204CAC-01	12 KOHM 1/4W + 5% CARBON FILM RESISTOR RD25-TP52 TYPE
R1316	52-AI2003CAC-01	2 KOHM 1/4W + 5% CARBON FILM RESISTOR RD25-TP52 TYPE
R1317	52-AI4703CAC-01	4.7 KOHM 1/4W + 5% CARBON FILM RESISTOR RD25-TP52 TYPE
R1318	52-I2703CFD-00	2.7 KOHM 1/2W + 5% CARBON COMPOSITION RESISTOR (RC1/2GF)
R1319	52-AI1001CBG-00	10 OHM 3W + 5% METAL OXIDE FILM RESISTOR (RSS-SMF TYPE)
R1320	52-AI3904CAC-01	39 KOHM 1/4W + 5% CARBON FILM RESISTOR RD25-TP52 TYPE
R1321	52-AI1003CAC-01	1 KOHM 1/4W + 5% CARBON FILM RESISTOR RD25-TP52 TYPE



Model Number: CE-5448-1 21" CTV W/REMOTE CONTROL

*CFM102.*

Item	Part Number	Description
1.	01-22356-03	CABINET MTG. HOLDER - BLACK MOULDED (MADE OF ABS MATERIAL)
2.	01-32497-00	CABLE TIE FOR AC CORD
3.	01-42646-05	CABLE TIE 4"
4.	01-42652-00	AC CORD CLIP
5.	01-43652-06	FRONT CABINET I-N73-Y
6.	01-43653-02	BACK CABINET - 94VO
7.	01-43655-01	PCB BRACKET - 94VO
8.	01-43656-01	JACK PLATE 94VO
9.	01-43662-00	POWER SW. KNOB - BLACK MOULDED
10.	01-53703-00	PUSH KNOB - BLACK MOULDED
11.	01-53705-06	HAND SET FRONT CABINET I-N73-Y
12.	01-53706-06	HAND SET BACK CABINET I-N73-Y
13.	01-53708-06	HAND SET BATTERY DOOR I-N73-Y
14.	01-53759-00	RUBBER CONTACT (THE SAME AS 01-43694-00)
15.	01-63770-00	SPEAKER HOLDER
16.	01-73116-01	FORK (UL MATERIAL)
17.	01-73190-00	FUSE COVER
18.	01-83251-00	RUBBER WASHER OD=22 ID=6 THK=4
19.	02-31365-00	TERMINAL PIN L=18 ID=2.2
20.	02-41950-00	CRT BRACKET
21.	02-41952-00	FLYBACK BRACKET
22.	02-41957-00	HEAT SINK
23.	02-41968-00	METAL TUBE
24.	02-51978-00	BATTERY CONNECTOR (-)
25.	02-51979-00	BATTERY CONNECTOR (+)
26.	02-51980-00	BATTERY CONNECTOR (+) & (-)
27.	02-61618-00	HEAT SINK PLATE (B)
28.	02-70617-00	WIRE LUG
29.	02-71685-00	METAL WASHER OD22XID6.5X1MM
30.	02-81737-02	IF SHIELDING CAN
31.	02-91761-04	HEAT SINK
32.	02-91815-03	POWER SUPPLY HEAT SINK
33.	04-25092-08	T 2.6 X 8 P/H (+) SELF TAPPING SCREW 'BLACK'
34.	04-35790-10	T 3 X 10 B/H (+) SELF TAPPING SCREW
35.	04-35790-12	T 3 X 12 B/H (+) SELF TAPPING SCREW
36.	04-37050-06	M 3 X 6 P/H (+) MACHINE SCREW 'TAPETITE'
37.	04-39750-06	M 3 X 6 B/H (+) MACHINE SCREW
38.	04-39750-08	M 3 X 8 B/H (+) MACHINE SCREW
39.	04-39750-10	M 3 X 10 B/H (+) MACHINE SCREW
40.	04-43790-20	T 4 X 20 B/H (+) SELF TAPPING SCREW 'HARDENED'
41.	04-45790-16	T 4 X 16 B/H (+) SELF-TAPPING SCREW
42.	04-65690-10	T 3.5 X 10 W/H (+) SELF TAPPING SCREW
43.	05-63050-00	M3 NUT
44.	05-66100-01	M6 NUT (HARDENED)



Model Number: CE-5448-I 21" CTV W/REMOTE CONTROL

Item	Part Number	Description
45.	06-00302-00	M3 SPRING WASHER
46.	07-40167-00	GROUNDING WIRE SPRING ID=7
47.	07-50207-00	POWER KNOB SPRING
48.	10-20955-01	CAUTION LABEL - (W/RIGHT DIRECTION ARROW)
49.	10-52314-22	INSTRUCTION BOOKLET - CT-M5102
50.	10-52317-01	SERIAL NO. LABEL FOR CE-5448-I (2 PCS/KIT)
51.	10-62366-00	CIRCUIT DIAGRAM FOR CE-3761/CE-3763/CE-3748-1/CE-5148-1/ CE-5448-1/ CE-54
52.	13-30895-01	FELT (SIZE : 34CM X 1.2CM) (CUT OFF FROM P/N# 13-30895-00)
53.	13-40911-18	PVC LENS - CLEAR W/SILKSCREEN (W/O TINT) CT-M5102
54.	13-40912-01	JACK PLATE INLAY - (W/AV IN AND OUT)
55.	13-50069-00	FIBRE WASHER ID=3
56.	13-50071-00	FIBRE WASHER
57.	13-50928-11	CONTROL OVERLAY - HS-3043-S TEAC
58.	13-70776-119	NAME PLATE - TEAC
59.	13-80806-367	BACK PLATE - CT-M5102
60.	14-30804-00	SILICA GEL (20GM)
61.	14-40796-48	CARTON BOX - 21" CT-M5102
62.	14-40797-00	POLYFOAM (4 PCS./KIT)
63.	14-40833-00	POLY BAG FOR ACC. PACKAGE 0.035 X 6-1/2" X 10"
64.	14-40843-00	UM-3 BATTERY
65.	14-50809-00	PACKING PAPER SHEET (56 CM X 32 CM)
66.	14-50814-00	POLY BAG FOR 20"/21" TV UNIT 0.07 X 44" X 37" (W/6 HOLES D=1.2")
67.	14-70708-00	POLY BAG FOR AC LINE CORD 0.05 X 4-1/2" X 7-1/2"
68.	14-70709-00	POLY BAG 0.05 X 9" X 13"
69.	14-90744-01	POLY BAG FOR HAND SET 0.035 X 3-1/2" X 9-1/2"
70.	17-08220-38	INDOOR ANTENNA = DOUBLE TYPE (TL7-218-11-X) LEAD WIRE = 800 MM #=10
71.	20-60203-00	EYELET 2 X 3
72.	21-10044-00	UL PVC TUBE ID=1.5MM
73.	21-10065-00	UL/CSA PVC TUBE I.D.=5.2MM SIZE 4 300V 105C
74.	21-10066-00	UL/CSA PVC TUBE I.D.=6.5MM AWG#2 300V 105C
75.	21-10068-00	KNITTED WIRE
76.	50-30526-07	PNP TRANSISTOR - 2SA608G-NP (2SA608G-NP)
77.	50-30702-08	TRANSISTOR 2SA562TM-Y
78.	50-30715-07	TRANSISTOR 2SA1015-Y

Model Number: CE-5448-1 21" CTV W/REMOTE CONTROL

Item	Part Number	Description
79.	50-40708-07	TRANSISTOR 2SC1815-Y
80.	50-40712-08	TRANSISTOR 2SC2120-Y
81.	50-40725-06	TRANSISTOR 2SC2717
82.	50-40733-04	TRANSISTOR 2SC2482
83.	50-40746-03	TRANSISTOR 2SD1554
84.	50-41305-01	TRANSISTOR 2SC 5287 WITH MICA SHEET
85.	50-41401-05	TRANSISTOR BSX20 "SGS"
86.	51-02023-01	ZENER DIODE 5.1V HZ5C2
87.	51-02024-01	ZENER DIODE 6.2V HZ6C2
88.	51-02026-01	ZENER DIODE 7.5V HZ7C2
89.	51-02027-01	ZENER DIODE 9.1V 1/2W HZ9C1 TAPED REELED PACKAGE
90.	51-02030-01	ZENER DIODE 8.2V HZ9A3 1/2W TAPED REELED PACKAGE
91.	51-02032-05	BZX79-C12 (12V, 0.5W) VOLTAGE REGULATOR DIODE
92.	51-03001-48	RECTIFIER DIODE FR155 (TAPE FORM)
93.	51-03005-48	DIODE FR104 (TAPED REELED PACKAGE)
94.	51-03018-41	DIODE IS 2775
95.	51-03058-41	DIODE 1N4007
96.	51-08001-23	DIODE 1N4148
97.	52-02821-31	82 OHM 1/2W +-5% CARBON FILM RESISTOR
98.	52-AI0330CBF-00	0.33 OHM 2W +-5% METAL OXIDE RESISTOR (RSS-SMF TYPE)
99.	52-AI1001CAD-01	10 OHM 1/2W +-5% CARBON FILM RESISTOR (RD-050-TP)
100.	52-AI1002CAS-00	100 OHM 1/6W +-5% CARBON FILM RESISTOR
101.	52-AI1003CAC-01	1 KOHM 1/4W +-5% CARBON FILM RESISTOR RD25-TP52 TYPE
102.	52-AI1003CAS-00	1 KOHM 1/6W +-5% CARBON FILM RESISTOR
103.	52-AI1004CAD-01	10 KOHM 1/2W +-5% CARBON FILM RESISTOR (RD-050-TP)
104.	52-AI1004CAS-00	10 KOHM 1/6W +-5% CARBON FILM RESISTOR
105.	52-AI1201CBF-00	12 OHM 2W +-5% METAL OXIDE FIXED RESISTOR (RSS25 SMF120HMJ)
106.	52-AI1202CAC-01	120 OHM 1/4W +-5% CARBON FILM RESISTOR RD25-TP52 TYPE
107.	52-AI1203CAD-01	1.2 KOHM 1/2W +-5% CARBON FILM RESISTOR (RD-050-TP)
108.	52-AI1203CAS-00	1.2 KOHM 1/6W +-5% CARBON FILM RESISTOR
109.	52-AI1204CAS-00	12 KOHM 1/6W +-5% CARBON FILM RESISTOR
110.	52-AI1302CAS-00	130 OHM 1/6W +-5% CARBON FILM RESISTOR
111.	52-AI1304CAS-00	13 KOHM 1/6W +-5% CARBON FILM RESISTOR
112.	52-AI1305CAS-00	130 KOHM 1/6W +-5% CARBON FILM RESISTOR
113.	52-AI1502CAC-01	150 OHM 1/4W +-5% CARBON FILM RESISTOR RD25-TP52 TYPE
114.	52-AI1502CAS-00	150 OHM 1/6W +-5% CARBON FILM RESISTOR
115.	52-AI1503CAC-01	1.5 KOHM 1/4W +-5% CARBON FILM RESISTOR RD25-TP52 TYPE
116.	52-AI1503CAS-00	1.5 KOHM 1/6W +-5% CARBON FILM RESISTOR
117.	52-AI1504CAS-00	15 KOHM 1/6W +-5% CARBON FILM RESISTOR
118.	52-AI1504CBF-00	15 KOHM 2W +-5% METAL OXIDE RESISTOR (RSS-SMF TYPE)
119.	52-AI1803CAS-00	1.8 KOHM 1/6W +-5% CARBON FILM RESISTOR
120.	52-AI1804CAC-01	18 KOHM 1/4W +-5% CARBON FILM RESISTOR RD25-TP52 TYPE
121.	52-AI2002CAS-00	200 OHM 1/6W +-5% CARBON FILM RESISTOR
122.	52-AI2003CAS-00	2 KOHM 1/6W +-5% CARBON FILM RESISTOR
123.	52-AI2004CAS-00	20 KOHM 1/6W +-5% CARBON FILM RESISTOR
124.	52-AI2200CCF-00	2.2 OHM 2W +-5% CEMENT FIXED RESISTOR (TYPE NO. RD2052.20HMJ)

Model Number: CE-5448-1 21" CTV W/REMOTE CONTROL

Item	Part Number	Description
125.	52-AI2201CAS-00	22 OHM 1/6W +-5% CARBON FILM RESISTOR
126.	52-AI2202CAS-00	220 OHM 1/6W +-5% CARBON FILM RESISTOR
127.	52-AI2203CAS-00	2.2 KOHM 1/6W +-5% CARBON FILM RESISTOR
128.	52-AI2204CAS-00	22 KOHM 1/6W +-5% CARBON FILM RESISTOR
129.	52-AI2205CAS-00	220 KOHM 1/6W +-5% CARBON FILM RESISTOR
130.	52-AI2206CAS-00	2.2 MOHM 1/6W +-5% CARBON FILM RESISTOR
131.	52-AI2402CAS-00	240 OHM 1/6W +-5% CARBON FILM RESISTOR
132.	52-AI2403CAS-00	2.4 KOHM 1/6W +-5% CARBON FILM RESISTOR
133.	52-AI2403CBG-00	2.4 KOHM 3W +-5% METAL OXIDE FIXED RESISTOR (RSS3W SMF2.4KOHMJ)
134.	52-AI2404CAS-00	24 KOHM 1/6W +-5% CARBON FILM RESISTOR
135.	52-AI2701CBF-00	27 OHM 2W +-5% METAL OXIDE FIXED RESISTOR (RSS2W SMF27OHMJ)
136.	52-AI2702CAS-00	270 OHM 1/6W +-5% CARBON FILM RESISTOR
137.	52-AI2703CAD-01	2.7 KOHM 1/2W +-5% CARBON FILM RESISTOR (RD-050-TP)
138.	52-AI2703CAS-00	2.7 KOHM 1/6W +-5% CARBON FILM RESISTOR
139.	52-AI2704CAS-00	27 KOHM 1/6W +-5% CARBON FILM RESISTOR
140.	52-AI3003CAC-01	3 KOHM 1/4W +-5% CARBON FILM RESISTOR RD25-TP52 TYPE
141.	52-AI3003CAS-00	3 KOHM 1/6W +-5% CARBON FILM RESISTOR
142.	52-AI3300CAS-00	3.3 OHM 1/6W +-5% CARBON FILM RESISTOR
143.	52-AI3300CBF-00	3.3 OHM +-5% 2W METAL OXIDE RESISTOR
144.	52-AI3302CAD-01	330 OHM 1/2W +-5% CARBON FILM RESISTOR
145.	52-AI3303CAS-00	3.3 KOHM 1/6W +-5% CARBON FILM RESISTOR
146.	52-AI3304CAC-01	33 KOHM 1/4W +-5% CARBON FILM RESISTOR RD25-TP52 TYPE
147.	52-AI3304CAS-00	33 KOHM 1/6W +-5% CARBON FILM RESISTOR
148.	52-AI3603CAS-00	3.6 KOHM 1/6W +-5% CARBON FILM RESISTOR
149.	52-AI3604CAS-00	36 KOHM 1/6W +-5% CARBON FILM RESISTOR
150.	52-AI3901CBE-00	39 OHM 1W +-5% METAL OXIDE RESISTOR (RSS-SMF TYPE)
151.	52-AI3901CCO-00	39 OHM 6W +-5% CEMENT FIXED RESISTOR (TYPE NO: RD6WS39OHMJ)
152.	52-AI3902CAD-01	390 OHM 1/2W +-5% CARBON FILM RESISTOR (RD-050-TP)
153.	52-AI3903CAS-00	3.9 KOHM 1/6W +-5% CARBON FILM RESISTOR
154.	52-AI4303CAS-00	4.3 KOHM 1/6W +-5% CARBON FILM RESISTOR
155.	52-AI4700CBE-00	4.7 OHM 1W +-5% METAL OXIDE FILM RESISTOR (RSS-SMF TYPE)
156.	52-AI4702CAS-00	470 OHM 1/6W +-5% CARBON FILM RESISTOR
157.	52-AI4703CAC-01	4.7 KOHM 1/4W +-5% CARBON FILM RESISTOR RD25-TP52 TYPE
158.	52-AI4703CAD-01	4.7 KOHM 1/2W +-5% CARBON FILM RESISTOR
159.	52-AI4703CAS-00	4.7 KOHM 1/6W +-5% CARBON FILM RESISTOR
160.	52-AI4704CAS-00	47 KOHM 1/6W +-5% CARBON FILM RESISTOR
161.	52-AI5103CAS-00	5.1 KOHM 1/6W +-5% CARBON FILM RESISTOR
162.	52-AI5602CAS-00	560 OHM 1/6W +-5% CARBON FILM RESISTOR
163.	52-AI5603CAS-00	5.6 KOHM 1/6W +-5% CARBON FILM RESISTOR
164.	52-AI5604CAS-00	56 KOHM 1/6W +-5% CARBON FILM RESISTOR
165.	52-AI5605CAS-00	560 KOHM 1/6W +-5% CARBON FILM RESISTOR
166.	52-AI6203CAS-00	6.2 KOHM 1/6W +-5% CARBON FILM RESISTOR
167.	52-AI6801CAS-00	68 OHM 1/6W +-5% CARBON FILM RESISTOR
168.	52-AI6802CAS-00	680 OHM 1/6W +-5% CARBON FILM RESISTOR
169.	52-AI6803CAS-00	6.8 KOHM 1/6W +-5% CARBON FILM RESISTOR
170.	52-AI6804CAS-00	68 KOHM 1/6W +-5% CARBON FILM RESISTOR
171.	52-AI7501CAS-00	75 OHM 1/6W +-5% CARBON FILM RESISTOR
172.	52-AI7504CAS-00	75 KOHM 1/6W +-5% CARBON FILM RESISTOR
173.	52-AI8202CAD-01	820 OHM 1/2W +-5% CARBON FILM RESISTOR
174.	52-AI8202CAS-00	820 OHM 1/6W +-5% CARBON FILM RESISTOR

Model Number: CE-5448-1 21" CTV W/REMOTE CONTROL

Item	Part Number	Description
175.	52-A18203CAS-00	8.2 KOHM 1/6W +-5% CARBON FILM RESISTOR
176.	52-A06803CBF-00	6.8 KOHM 2W +-5% METAL OXIDE RESISTOR (RY20 TYPE)
177.	52-B0430CDE-00	0.43 OHM 1W +-5% FUSIBLE METAL FILM RESISTOR (FRN TYPE) (MG FORM)
178.	52-B1000CDE-00	1 OHM 1W +-5% FUSIBLE METAL FILM RESISTOR (FRN TYPE)
179.	52-B3301CBE-00	33 OHM 1W +-5% METAL OXIDE RESISTOR (RSN-1B TYPE)
180.	52-B4000DCI-00	4 OHM 5W +-10% NON-INFLAMMABLE RESISTOR (SQP TYPE)
181.	52-B6800CBF-00	6.8 OHM 2W +-5% METAL OXIDE RESISTOR (RSN TYPE)
182.	52-I1007EFD-00	10 MOHM 1/2W +-20% CARBON COMPOSITION RESISTOR (RC1/2GF)
183.	52-I1805CFD-00	180 KOHM 1/2W +-5% CARBON COMPOSITION RESISTOR (RC1/2GF TYPE)
184.	52-I4703CFD-00	4.7 KOHM 1/2W +-5% CARBON COMPOSITION RESISTOR (RC1/2GF TYPE)
185.	52-V1201IIX-00	PTC THERMISTOR 12 OHM +30 -10% (M2730) (3 PIN)
186.	53-10320-25	1 KOHM B +-30% VARIABLE RESISTOR (RH0615C13J)
187.	53-10420-61	10 KOHM B +-30% VARIABLE RESISTOR (RH0615C14J)
188.	53-10420-63	10 KOHM B VARIABLE RESISTOR (W208-1A-10K)
189.	53-20220-12	200 OHM B VARIABLE RESISTOR (W208-1A-200 OHM)
190.	53-22320-01	2.2 KOHM B +-30% VARIABLE RESISTOR (RH0615C03J)
191.	53-33420-01	33 KOHM B +-30% VARIABLE RESISTOR (RH0615C04J)
192.	53-47320-03	4.7 KOHM B +-30% VARIABLE RESISTOR (RH0615C05J)
193.	54-46800-75	68 PF 50V +-5% CERAMIC CAP
194.	54-51000-75	10 PF 50V +-10% CERAMIC CAP
195.	54-51002-75	0.001 UF 50V +-10% CERAMIC CAP
196.	54-55602-76	0.0056 UF 50V +-10% MYLAR CAP
197.	54-55603-76	0.056 UF 50V +-10% POLYESTER FILM CAP
198.	54-71003-75	0.01 UF 50V +80% -20% CERAMIC CAP.
199.	54-72203-75	0.022 UF 50V +80% -20% CERAMIC CAP
200.	54-A1007EAB-00	100 UF 10V +-20% ELECTROLYTIC CAP
201.	54-A1007EAB-00	100 UF 160V +-20% ELECTROLYTIC CAP (UVX2D101MHA)
202.	54-A1007EAK-01	100 UF 400V +-20% ELECTROLYTIC CAPACITOR (LLK2G101MHSZ)
203.	54-A1008EAD-01	1000 UF 25V +-20% ELECTROLYTIC CAPACITOR (UVX1E102MHA)
204.	54-A2206EAJ-00	22 UF 250V +-20% ELECTROLYTIC CAPACITOR (UVX2E220MHA)
205.	54-A2207EAB-00	220 UF 10V +-20% ELECTROLYTIC CAP
206.	54-A4706EAD-01	47 UF 25V +-20% ELECTROLYTIC CAPACITOR 105C (UPR1E470MHA)
207.	54-A4706EAF-00	47 UF 50V +-20% ELECTROLYTIC CAP
208.	54-AA0700ABF-00	7 PF 50V +-0.25 PF CERAMIC CAPACITOR
209.	54-AA1001CBF-00	100 PF 50V +-5% CERAMIC CAP. (C101J30C06F53L5)
210.	54-AA2401CBF-00	240 PF 50V +-5% CERAMIC CAPACITOR
211.	54-AA3000CBF-00	30 PF 50V +-5% CERAMIC CAP. (Y5F)
212.	54-AA3900CBF-00	39 PF 50V +-5% CERAMIC CAPACITOR
213.	54-AC2400CBF-00	24 PF 50V +-5% CERAMIC CAPACITOR (CC045L50V2400A)
214.	54-AC8201DBF-00	820 PF 50V +-10% CERAMIC CAPACITOR (CT04Y3P50V820K1A)
215.	54-AD1005DID-00	1 UF 25V +-10% TANTALUM CAP. (CA42 TYPE)
216.	54-AF1006EAF-00	10 UF 50V +-20% ALUMINUM ELECTROLYTIC CAPACITOR TYPE : CD11G, D.F.=0.08
217.	54-AF1007EAF-00	100 UF 50V +-20% ALUMINUM ELECTROLYTIC CAPACITOR (TYPE : CD11G, D.F.=0.08)
218.	54-AF2205EGF-00	2.2 UF 50V +-20% NON-POLAR ELECTROLYTIC CAPACITOR (C071 TYPE)
219.	54-AF2207EAC-00	220 UF 16V +-20% ALUMINUM ELECTROLYTIC CAPACITOR TYPE : CD11G, D.F.=0.08
220.	54-AF3306EAC-00	33 UF 16V +-20% ALUMINUM ELECTROLYTIC CAPACITOR TYPE : CD11G, D.F.=0.08

Model Number: CE-5448-1 21" CTV W/REMOTE CONTROL

Item	Part Number	Description
221.	54-AF4705EAD-00	4.7 UF 25V +-20% ALUMINUM ELECTROLYTIC TYPE : CE11G, D.F.=0.08
222.	54-AF4706EAE-00	47 UF 160V +-20% ELECTROLYTIC CAPACITOR (CD110 TYPE)
223.	54-AF4707EAE-00	470 UF 35V +-20% ALUMINUM ELECTROLYTIC CAPACITOR TYPE : CD11G, D.F.=0.08
224.	54-AH1003CLF-00	0.01 UF 50V +-5% POLYESTER FILM CAPACITOR (CL12 TYPE)
225.	54-AH1004DFV-00	0.1 UF 63V +-10% METALLIZED POLYESTER FILM CAPACITOR (CL21X TYPE)
226.	54-AH2204DFV-00	0.22 UF 63V +-10% METALLIZED POLYESTER FILM CAPACITOR (CL21X TYPE)
227.	54-AZ2202CEX-00	0.0022 UF 630V +-5% POLYPROPYLENE FILM CAPACITOR SA=10MM (PLU222J630V)
228.	54-AZ3304CEI-00	0.33 UF 200V +-5% POLYPROPYLENE FILM CAPACITOR (PLU334J200V) L.S.=20MM
229.	54-BA1002EPK-00	1000 PF AC400V +-20% AC CERAMIC CAPACITOR (T4KV) (CT81-AC400V-E102-M-B)
230.	54-BA2202EPK-00	2200 PF AC400V +-20% AC CERAMIC CAPACITOR (T4KV) (CT81-AC400V-E222-M-B)
231.	54-BD1004DFJ-00	0.1 UF 275VAC +-10% AC METALLIZED POLYESTER CAPACITOR (1.04-MKT SERIES)
232.	54-BE5603DMI-00	0.056 UF 200V +-10% POLYPROPYLENE FILM CAPACITOR (PP TYPE)
233.	54-E1002DCF-00	0.001 UF 50V +-10% POLYESTER FILM CAPACITOR
234.	54-E1003DCF-00	0.01 UF 50V +-10% POLYESTER FILM CAPACITOR
235.	54-E1004DCF-00	0.1 UF 50V +-10% POLYESTER FILM CAPACITOR
236.	54-E1004HBF-00	0.1 UF 50V +80% -20% CERAMIC CAP. (D164Z29Y5VF62J5H)
237.	54-E1500CBF-00	15 PF 50V +-5% CERAMIC CAP. (D150J2000GF52L2H)
238.	54-E1501CBF-00	150 PF 50V +-5% CERAMIC CAP. (D151J2552LF52L5)
239.	54-E1502DBP-00	1500 PF 2KV +-10% CERAMIC CAP (D152K49Y5PP62L9A)
240.	54-E2703CCF-00	0.027 UF 50V +-5% POLYESTER FILM CAP (J273J47Y5DF52L4G)
241.	54-E3300CKF-00	33 PF 50V +-5% CERAMIC CAP. (TEMPERATURE COMPENSATING) (D330J2000GF52L5A)
242.	54-E3302DCF-00	0.0033 UF 50V +-10% POLYESTER FILM CAPACITOR
243.	54-E3901DKL-00	390 PF 500V +-10% CERAMIC CAP (D391K22Z5FL62L3H)
244.	54-E4700CBF-00	47 PF 50V +-5% CERAMIC CAPACITOR (D470J2252LF52L2H) TEMP. COMPENSATING
245.	54-E4702EBL-00	0.0047 UF 500V +-20% CERAMIC CAP (D472M31Z5UL62L5A)
246.	54-E4702EBN-00	0.0047 UF 1KV +-20% CERAMIC CAP (D472M39Z5UN62L6A)
247.	54-E4702HBP-00	4700 PF 2KV +80 -20% CERAMIC CAP. (D472Z59Z5UP63L9)
248.	54-E5600CBF-00	56 PF 50V +-5% CERAMIC CAP. (D560J2500GF52L5I)
249.	54-E5601DBF-00	560 PF 50V +-10% CERAMIC CAP. (D561K22Z5PF52L3H)
250.	54-E6801DBL-00	680 PF 500V +-10% CERAMIC CAP (D681K25Z5PL52L5H)
251.	54-E6802DCF-00	0.0068 UF 50V +-10% POLYESTER FILM CAPACITOR
252.	54-I8202CMD-00	0.0082 UF 1600V +-5% POLYPROPYLENE FILM CAP
253.	54-O1005EAF-00	1 UF 50V +-20% ELECTROLYTIC CAP. (SMR SERIES)
254.	54-O1006EAC-00	10 UF 16V +-20% ELECTROLYTIC CAP. (SMR SERIES)
255.	54-O1007EAC-00	100 UF 16V +-20% ELECTROLYTIC CAP. (SMR SERIES)
256.	54-O1007EAD-00	100 UF 25V +-20% ELECTROLYTIC CAP. (SMR SERIES)
257.	54-O2204EAF-00	0.22 UF 50V +-20% ELECTROLYTIC CAP. (SMR SERIES)
258.	54-O2205EAF-00	2.2 UF 50V +-20% ELECTROLYTIC CAP. (SMR SERIES)
259.	54-O4704EAF-00	0.47 UF 50V +-20% ELECTROLYTIC CAP. (SMR SERIES)
260.	54-O4706EAB-00	47 UF 10V +-20% ELECTROLYTIC CAPACITOR (SMR TYPE)
261.	54-O4706EAD-00	47 UF 25V +-20% ELECTROLYTIC CAP. (SMR SERIES)
262.	54-O4707EAC-00	470 UF 16V +-20% ELECTROLYTIC CAP. (SMR SERIES)
263.	54-O2204CFV-00	0.22 UF 63V +-5% METALLIZED POLYESTER CAPACITOR (MS-COM TYPE)
264.	54-O4704CFV-00	0.47 UF 63V +-5% METALLIZED POLYESTER CAPACITOR (MS-COM TYPE)
265.	54-U1002CDJ-00	1000 PF 250V +-5% POLYSTYRENE FILM CAPACITOR (222 426 21002)
266.	56-12141-04	140 MM YELLOW (AWG 22) SINGLE JUMPER WIRE
267.	56-12500-00	50 MM BLACK (AWG 22) SINGLE JUMPER WIRE
268.	56-12500-02	50 MM RED (AWG 22) SINGLE JUMPER WIRE

Model Number: CE-5448-1 21" CTV W/REMOTE CONTROL

Item	Part Number	Description
269.	56-12700-00	70 MM BLACK (AWG 22) SINGLE JUMPER WIRE
270.	56-12700-04	70 MM YELLOW (AWG 22) SINGLE JUMPER WIRE
271.	56-12800-00	80 MM BLACK (AWG 22) SINGLE JUMPER WIRE
272.	56-12800-03	80 MM ORANGE (AWG 22) SINGLE JUMPER WIRE
273.	56-12900-00	90 MM BLACK (AWG 22) SINGLE JUMPER WIRE
274.	56-12900-06	90 MM BLUE (AWG 22) SINGLE JUMPER WIRE
275.	56-23561-05	560 MM GREEN (AWG 24) 1007 STRAND JUMPER WIRE
276.	56-33281-00	280 MM BLACK (AWG 24) 1015 STRAND JUMPER WIRE
277.	56-33341-00	340 MM BLACK (AWG 24) 1015 STRAND JUMPER WIRE
278.	57-10182-24	AC LINE CORD - 6FT 7.5A 250V TYPE NO. 1 CD2CF SAA APPROVED
279.	58-28135-04	HORIZONTAL DRIVE TRANSFORMER (H819F21)
280.	58-65431-02	*JEWEL* FLYBACK TRANSFORMER FOR 21" CTV (CF0504)
281.	58-71943-03	LINE FILTER LS-13105-1R6K
282.	58-75191-03	LINE FILTER
283.	58-95186-03	SWITCHING POWER TRANSFORMER
284.	59-01823-05	SIF DETECTOR COIL (H09-866-245)
285.	59-01912-05	PIF MATCHING COIL
286.	59-01913-05	PIF & AFC COIL (10 MM)
287.	59-01917-05	BURST CLEANING COIL 10 MM
288.	59-02721-03	DEGAUSSING COIL FOR 21" CTV (DOUBLE INSULATION)
289.	59-04002-01	46 UH +-20% LINEARITY COIL (LS-11379)
290.	59-05002-01	200 UH +-10% CHOKE COIL
291.	59-05804-01	5 UH +-10% INDUCTOR COIL
292.	59-06401-03	12 UH +-10% COIL EC24-120K
293.	59-06411-02	1 UH +-10% PEAKING COIL (AL0305 TYPE)
294.	59-06411-03	1.2 UH +-10% PEAKING COIL (AL0305 TYPE)
295.	59-06411-06	15 UH +-10% PEAKING COIL (AL0305 TYPE)
296.	59-08001-05	68 UH +-10% PEAKING COIL - HORIZONTAL TYPE (TYPE NO. AL0407-680K)
297.	59-08001-07	39 UH +-10% PEAKING COIL HORIZONTAL TYPE (AL0305-390K)
298.	59-08001-26	33 UH +-10% PEAKING COIL (AL0305-330K) IN TAPED FORM
299.	59-08001-28	0.56 UH +-10% PEAKING COIL (AL0305-R56K) IN TAPED FORM
300.	59-08001-29	8.2 UH +-5% PEAKING COIL (AL0407-8R2J) IN TAPED FORM
301.	59-82901-15	270 UH +-10% INDUCTOR LAL04TB271K
302.	60-T0530620-06T	YRT BOARD
303.	60-T0544320-07A	TRANSMITTER BOARD (COATING)
304.	60-T0545620-01A	MAIN PCB (INCLUDING PHOTO PC BOARD) - P/N 60-T0545620-02)
305.	61-00094-01	P.C.B. TYPE CONNECTOR V-TYPE PINS ASS'Y 2 PINS TS-80P-02V)
306.	61-00127-02	RCA PIN JACK-WHITE (PJ700-07-02)
307.	61-00127-03	RCA PIN JACK YELLOW (PJ700-07-04)
308.	61-00128-01	RCA PIN JACK WASHER

Model Number: CE-5448-I 21" CRT W/REMOTE CONTROL

Item	Part Number	Description
309.	61-01024-01	JST LV CONNECTOR HOUSING (S1P-LV)
310.	61-01052-01	HIGH FOCUS CRT SOCKET W/COVER DIAMETER (5008729)
311.	61-10040-01	P.C.B. TYPE CONNECTOR HOUSING 2 PINS TS-80H-02A1
312.	61-11001-01	SMK STRAIGHT CONNECTOR WAFER (6 PINS) W-P3006
313.	61-11003-01	JST LV CONNECTOR PIN (RT-01N-2.3A)
314.	61-11004-01	JST LV CONNECTOR TERMINAL (SVF-01T-2.36N)
315.	63-10802-09	SPEAKER 3" X 5" 8 OHM 2W (GJ-9601019)
316.	64-30101-49	TACT SWITCH 1P1T L=5.85MM (MODEL NO. CTS-1102VD)
317.	64-30202-52	POWER PUSH SWITCH 2P2T (SS-160-3) TRAVEL DISTANCE = 2.5MM
318.	64-40103-02	LEVER SWITCH 1P3T (EVQ-RAALIO)
319.	65-03005-31	FERRITE BEAD
320.	66-40001-03	CRYSTAL 4.0 MHZ HC18/U SHENZHEN ZHENFENG
321.	66-44331-10	CRYSTAL 4.43MHZ HC18-U 'SHEN FENG'
322.	66-45500-06	CERAMIC RESONATOR 455KHZ (XZT455E)
323.	66-45501-01	CERAMIC RESONATOR CSB 503F2
324.	66-55001-02	CERAMIC FILTER 5.5 MHZ, TYPE NO. SFSMS.SMC8 (SPE5.5MB)
325.	66-55001-03	TPS 5.5MB CERAMIC FILTER 5.5MHZ
326.	67-00118-04	I.C. - TDA1013B
327.	67-02705-04	I.C. - M34300M4-012SP (CPU)
328.	67-03103-02	I.C. M50560-001P
329.	67-06105-01	I.C. M6MB0011AP 1 KBIT EEPROM (DUAL IN LINE)
330.	67-14215-01	I.C. LA7910
331.	67-34018-01	I.C. TC4053BP
332.	67-35709-01	I.C. TAB445K
333.	67-84735-02	I.C. L7805CV
334.	67-90430-01	I.C. UPC574J
335.	67-AA008690-01	I.C. TAB690AN
336.	68-04002-66	150 MM FLEXIBLE CABLE 5 PINS (DIVIDE 68-04002-42 INTO 3 PCS.)
337.	68-09024-46	CABLE TUNER TUGE1EC61A (FP=43.25 MHZ)
338.	68-18001-53	SAW FILTER LBD 38.9M (F1027C)
339.	68-21001-13	Y DELAY LINE YBL-40A18X
340.	68-21004-02	GLASS DELAY LINE YJD-8-S5
341.	68-28001-10	MATCHING TRANSFORMER 300/75 OHM (NGN-UL)
342.	69-01014-40	LED - RED BT-217D
343.	69-01119-12	'TOSHIBA' 21" CRT A51KST95X02(VM) (FOR SOUTHERN HEMISPHERE)
344.	69-02014-02	INFRARED LED SLR-938C

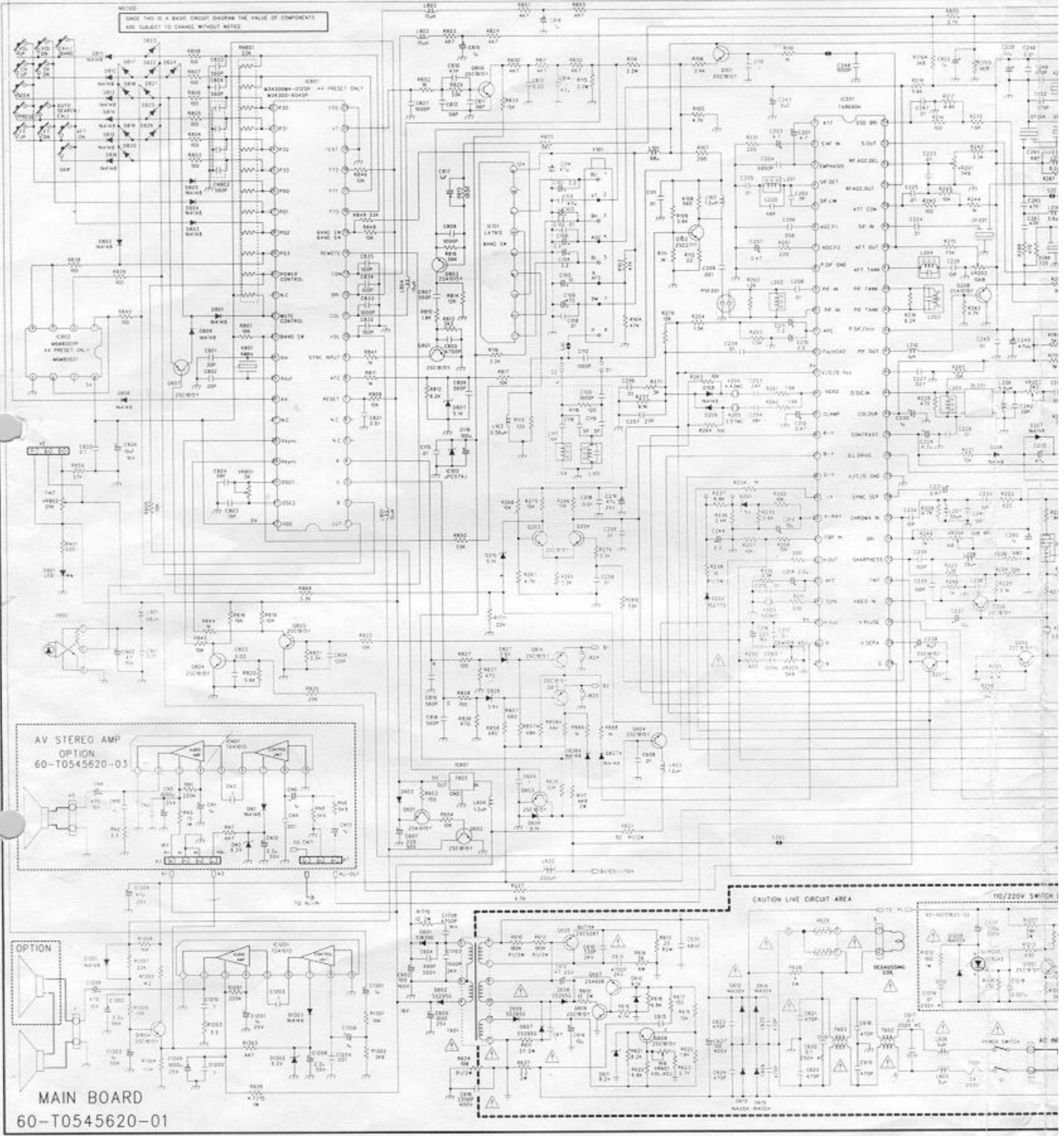
Model Number: CE-S448-1 21" CRT W/REMOTE CONTROL

Item	Part Number	Description
345.	69-02015-03	PHOTO RECEIVER MODULE SPS-409-1-M
346.	72-01076-01	FUSE 5ST 2A 250V (0652-2000-11) "REL"
347.	72-02001-04	FUSE HOLDER
348.	73-037480H-04L	4 POLES CONNECTOR ASSY
349.	73-037480I-04L	4 POLES CONNECTOR ASSY
350.	73-053980A-02A	CONNECTOR ASSY. W/2 POLES (W/ WAFER SC25-02WS '61-W0004-02A')
351.	73-053980F-01A	CONNECTOR ASSY. W/1 POLE (W/ WAFER YFW-800-01 '61-W0006-01A')
352.	73-37481EE-02CC	2 POLES CONNECTOR ASSY.
353.	73-544810J-06L	6 POLES CONNECTOR ASSY ( FOR 14"-21" CRT OF SOUTHERN HEMISPHERE )
354.	76-2204CBA-00	22 KOHM 1/8W +-5% THICK FILM RESISTOR NETWORK (SOPA1223J)

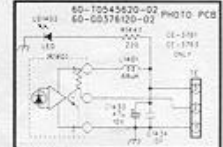
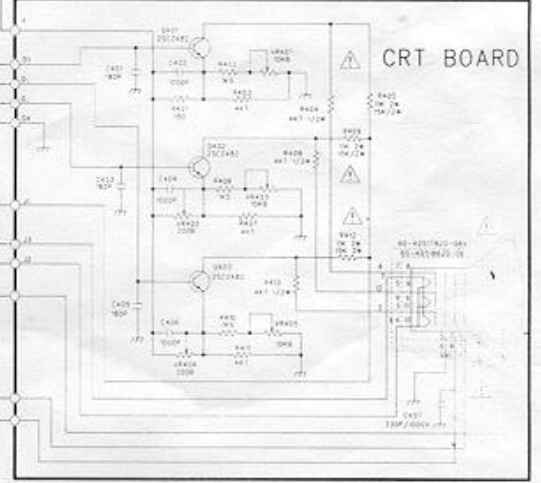
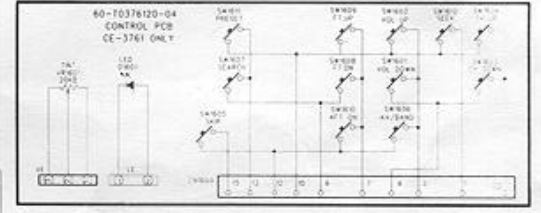
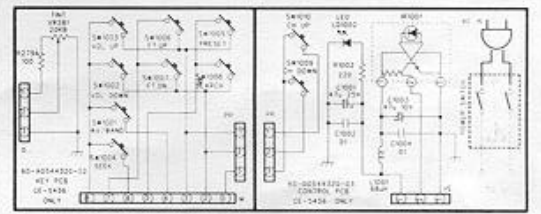
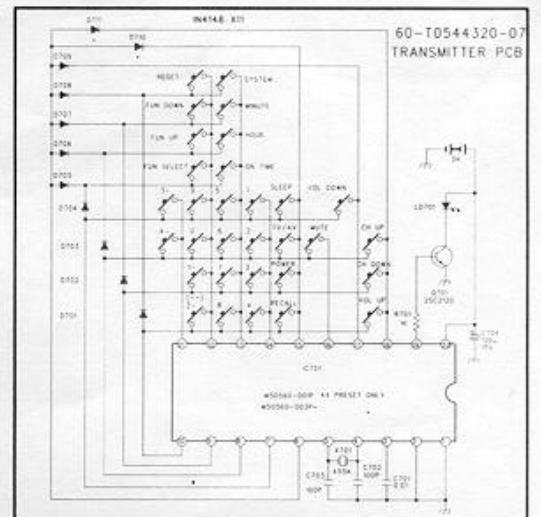
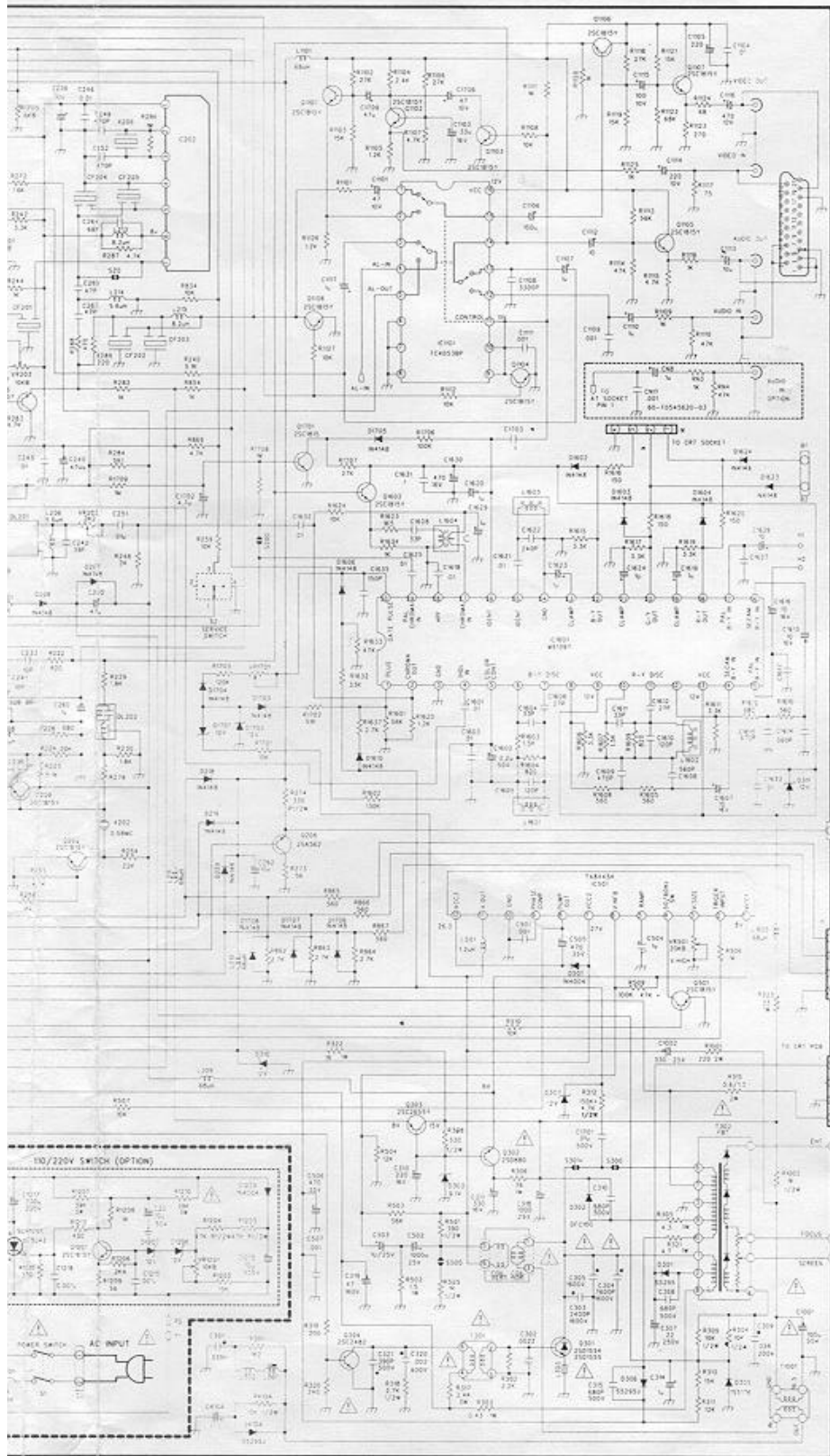
\*\*\* END OF REPORT \*\*\*



NOTE: SINCE THIS IS A BASIC CIRCUIT DIAGRAM THE VALUE OF COMPONENTS ARE SUBJECT TO CHANGE WITHOUT NOTICE



*CPM Prod Circuit*



CE-5448-1 CE-5456  
 CE-5148-1 CE-3763  
 CE-3748-1 CE-3761  
 PAL/SECAM-BG/DK  
 NTSC AV OPTION

*crt diagram*

不受控 - 不會自動更新